

RES-420

®

Operating Instructions



Important features

- Microprocessor technology
- LC display (green), 4 lines, 20 characters, (multilingual)
Alternatively:
VF display (blue), 4 lines, 20 characters, (multilingual)
- Automatic zero calibration (AUTOCAL)
- Automatic optimization (AUTOTUNE)
- Automatic frequency adjustment
- Large current and voltage range
- Booster connection as standard
- Heatsealing band alloy and temperature range selectable
- Alarm function with fault diagnosis

Identical design to and compatible with RES-210, -211, -220, -221

Contents

1	Safety and warning notes	3	10	Controller functions	21
1.1	Use	3	10.1	Indicators and controls	21
1.2	Heatsealing band	3	10.2	Display	22
1.3	Impulse transformer	3	10.3	Navigation in the menus	23
1.4	Current transformer PEX-W2	3	10.4	Menu structure	25
1.5	Line filter	4	10.5	Menu steps	26
1.6	Warranty provisions	4	10.6	Temperature setting (set point selection)	29
1.7	Standards / CE marking	4	10.7	Temperature indication	29
2	Application	4	10.8	Automatic zero calibration (AUTOCAL)	29
3	Principle of operation	5	10.9	"START" signal (HEAT)	30
4	Description of the controller	6	10.10	Cycle counter	30
5	Accessories and modifications	6	10.11	Hold mode	30
5.1	Accessories	6	10.12	Disabling the Configuration menu	31
5.2	Modifications (MODs)	7	10.13	Setting the display brightness (VF display only)	32
6	Technical data	8	10.14	Undervoltage detection	32
7	Dimensions/front panel cutout	10	10.15	Booster connection	32
8	Installation	11	10.16	System monitoring/alarm output	33
8.1	Installation procedure	11	10.17	Error messages	34
8.2	Installation steps	12	10.18	Fault areas and causes	35
8.3	Power supply	13	11	Factory settings	36
8.4	Line filter	14	12	Maintenance	36
8.5	Current transformer PEX-W2	14	13	How to order	37
8.6	Wiring diagram (standard)	15	14	Index	38
8.7	Wiring diagram with booster connection	16			
9	Startup and operation	17			
9.1	Front view of the controller	17			
9.2	Rear view of the controller	17			
9.3	Controller configuration	17			
9.4	Heatsealing band	19			
9.5	Startup procedure	20			

1 Safety and warning notes

This RESISTRON temperature controller is manufactured according to DIN EN 61010-1. In the course of its manufacture it passed through quality assurance, whereby it was subjected to extensive inspections and tests.


It left the factory in perfect condition.

The recommendations and warning notes contained in these operating instructions must be complied with, in order to guarantee safe operation.

The device can be operated within the limits indicated in the "Technical Data" without impairing its operational safety. Installation and maintenance may only be performed by technically trained, skilled persons who are familiar with the associated risks and warranty provisions.


1.1 Use

RESISTRON temperature controllers may only be used for heating and temperature control of heatsealing bands which are expressly suitable for them, and providing the regulations, notes and warnings contained in these instructions are complied with.

 **In case of non-compliance or use contrary to the intended purpose, there is a risk that safety will be impaired or that the heatsealing band, electrical wiring, transformer etc. will overheat. Ensuring such compliance is the personal responsibility of the user.**

1.2 Heatsealing band

A basic prerequisite for reliable and safe operation of the system is the use of suitable heatsealing bands.


 **The resistance of the heatsealing band which is used must have a positive minimum temperature coefficient in order to guarantee trouble-free operation of the RESISTRON temperature controller.**

The temperature coefficient must be specified as follows:

$$TCR \geq 10 \times 10^{-4} \text{ K}^{-1}$$

e.g. Alloy-20: TCR = 1100 ppm/K
NOREX: TCR = 3500 ppm/K

The RESISTRON temperature controller must be set and coded according to the temperature coefficient of the heatsealing band.

 **The use of incorrect alloys with too low a temperature coefficient and incorrect coding of the RESISTRON temperature controller leads to uncontrolled heating and ultimately to burn-out of the heatsealing band!**

The heatsealing bands that were originally supplied must be identified by their detailed specification, part number or some other means to ensure that all replacement bands are identical.


1.3 Impulse transformer

A suitable impulse transformer is necessary to ensure that the control loop functions perfectly. This transformer must be designed according to VDE 0570/EN 61558 (isolating transformer with reinforced insulation) and have a one-section bobbin. When the impulse transformer is installed, suitable shock protection must be provided in accordance with the national installation regulations for electrical equipment. In addition, water, cleaning solutions and conductive fluids must be prevented from seeping into the transformer.

 **Incorrect installation of the impulse transformer impairs electrical safety.**

1.4 Current transformer PEX-W2

The current transformer supplied with the RESISTRON temperature controller is an integral part of the control system.

 **Only the original ROPEX PEX-W2 current transformer may be used. Other transformers may cause the equipment to malfunction.**

The current transformer may only be operated if it is connected to the RESISTRON temperature controller correctly (see section 9, "Startup and operation"). The relevant safety instructions contained in section 8.3, "Power supply", must be obeyed. External monitoring modules can be used in order to additionally increase operating safety. They are not included in the scope of

supply of the standard control system and are described in a separate document.

1.5 Line filter

The use of an original ROPEX line filter is mandatory in order to comply with the standards and provisions mentioned in section 1.7 "Standards / CE marking" on page 4. This device must be installed and connected according to the instructions contained in section 8.3, "Power supply" as well as the separate documentation enclosed with the line filter.

1.6 Warranty provisions

The statutory provisions for warranties apply for a period of 12 months following the delivery date.

All devices are tested and calibrated in the factory. Devices that have been damaged due to faulty connections, dropping, electrical overloading, natural wear, incorrect or negligent handling, chemical influences or mechanical overloading as well as devices that have been modified, relabeled or otherwise altered by the customer, for example in an attempt to repair them or install additional components, are excluded from the warranty.

Warranty claims must be examined in the factory and approved by ROPEX.

1.7 Standards / CE marking

The controller described here complies with the following standards, provisions and directives:

DIN EN 61010-1 (VDE 0411-1)	Safety provisions for electrical measuring, control and laboratory devices (low voltage directive). Overvoltage category III, pollution severity 2, safety class II.
DIN EN 60204-1	Electrical equipment of machines (machinery directive)
EN 50081-1	EMC interference emissions according to EN 55011, group 1, class B
EN 50082-2	EMC interference immunity: ESDs, RF radiation, bursts, surges.

Compliance with these standards and provisions is only guaranteed if original accessories and/or peripheral components approved by ROPEX are used. If not, then the equipment is operated on the user's own responsibility.

The CE marking on the controller confirms that the device itself complies with the above-mentioned standards.

It does not imply, however, that the overall system also fulfils these standards.

It is the responsibility of the machine manufacturer and of the user to verify the completely installed, wired and operationally ready system in the machine with regard to its conformity with the safety provisions and the EMC directive (see also section 8.3, "Power supply"). If peripheral components (e.g. the transformer or the line filter) from other manufacturers are used, no functional guarantee can be provided by ROPEX.

2 Application

This RESISTRON temperature controller is an integral part of the "series 400", the outstanding feature of which is its microprocessor technology. All RESISTRON temperature controllers are used to control the temperature of heating elements (heatsealing bands, beaded bands, cutting wires, heatsealing blades, solder elements etc.), as required in a variety of heatsealing processes.

The controller is most commonly used for impulse-heatsealing PE and PP films in:

- Vertical and horizontal f/f/s machines
- Pouch, filling and sealing machines
- Film wrapping machines
- Pouch-making machines
- Group packaging machines
- L-sealers

- etc.

The use of RESISTRON temperature controllers results in:

- Repeatable quality of the heatseals under any conditions
- Increased machine capacity
- Extended life of the heatsealing bands and teflon coatings
- Simple operation and control of the sealing process

3 Principle of operation

The resistance of the heatsealing band, which is temperature-sensitive, is monitored 50x per second (60x at 60Hz) by measuring the current and voltage. The temperature calculated with the help of these measurements is displayed and compared with the set point.

The primary voltage of the impulse transformer is adjusted by phase-angle control if the measured values deviate from the set point. The resulting change in the current through the heatsealing band leads to a change in the band temperature and thus also its resistance. This change is measured and evaluated by the RESISTRON temperature controller.

The control loop is closed: ACTUAL temperature = SET temperature. Even minute thermal loads on the heatsealing band are detected and can be corrected quickly and precisely.

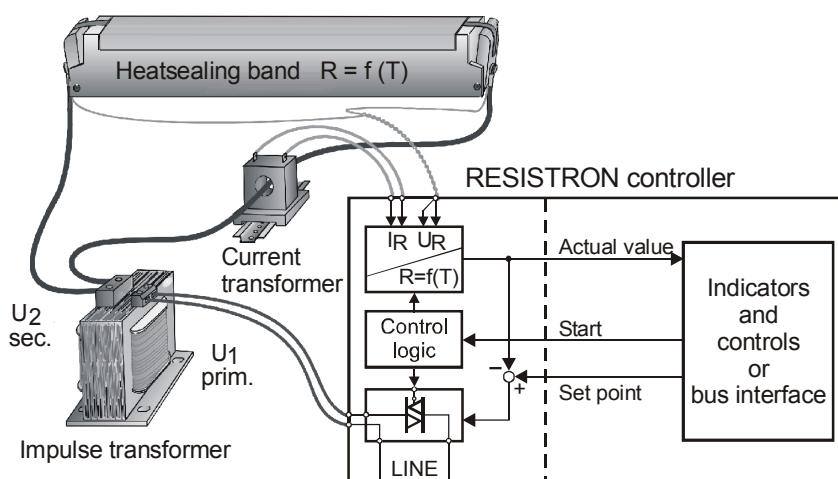
The thermoelectric control loop which is formed has a highly dynamic response because purely electrical variables are measured at a high sampling rate. A high secondary current can be controlled with only minimal power loss because power is controlled on the primary

side of the transformer. This allows optimum adaptation to the load and to the required dynamic range despite the exceptionally compact dimensions of the controller.

PLEASE NOTE!

RESISTRON temperature controllers play a significant role in enhancing the performance of modern machines. However, the full benefit can only be obtained from the advanced technology offered by this control system if all the system components, in other words the heatsealing band, the impulse transformer, the wiring, the timing signals and the controller itself, are compatible with one another.

We will be pleased to contribute our many years of experience towards optimizing your heatsealing system.



4 Description of the controller

The microprocessor technology endows the RESISTRON temperature controller RES-420 with previously unattainable capabilities:

- Very simple operation thanks to AUTOCAL, the automatic zero calibration function.
- Good dynamic response of the control system thanks to AUTOTUNE, which adapts automatically to the controlled system.
- High precision thanks to further improved control accuracy and linearization of the heatsealing band characteristic.
- High flexibility: the secondary voltage range from 1V to 120V is covered with only 3 DIP switches, with 2 DIP switches for the current range from 30A to 400A.
- Automatic adjustment to the line frequency in the range from 47Hz to 63Hz.
- Increased protection against dangerous conditions, such as overheating of the heatsealing band.

The process data is represented on an LC display with 4 lines and 20 characters. Devices with a VF display

are available as an option. Various display languages can be selected.

The real heatsealing band temperature is visualized on the display both as a digital number in °C and in the form of a dynamic bar.

The RESISTRON temperature controller RES-420 also features an integrated fault diagnosis function, which tests both the external system (heatsealing band, wiring etc.) and the internal electronics and outputs a selective error message in case of a fault.

To increase operational safety and interference immunity, all 24VDC logic signals are electrically isolated from the controller and the heating circuit.

The menu in the temperature controller itself can be used to adapt to different heatsealing band alloys (Alloy-20, NOREX etc.) and set the required temperature range (0...300°C, 0...500°C etc.).



The RESISTRON temperature controller RES-420 is designed for installation in a front panel cutout. The compact design and the plug-in connections make this controller easy to install.




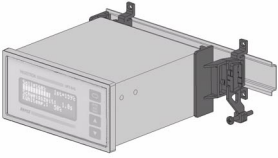


5 Accessories and modifications

A wide range of compatible accessories and peripheral devices are available for the RESISTRON temperature controller RES-420. They allow it to be optimally adapted to your specific heatsealing application and to your plant's design and operating philosophy.

5.1 Accessories

The products described below are only a few of the wide range of accessories available for RESISTRON temperature controllers (↪ "Accessories" leaflet).

	<p>Line filter LF-xx480 Essential in order to ensure CE conformity. Optimized for the RESISTRON temperature controller.</p>
	<p>Impulse transformer ITR-x Designed according to VDE 0570/EN 61558 with a one-section bobbin. Optimized for impulse operation with RESISTRON temperature controllers. Specified according to the heatsealing application (↪ ROPEX Application Report).</p>

	<p>Booster B-xxx400 External switching amplifier, necessary for high primary currents (continuous current > 5A, pulsed current > 25A).</p>
	<p>Monitoring current transformer MSW-1 For detecting frame short-circuits on the heatsealing band. Used as an alternative to the standard PEX-W2 current transformer.</p>
	<p>Transparent front cover TFA-1 For increasing the degree of protection on the front of the controller to IP65. Also facilitates applications in the food technology sector (GMP).</p>
	<p>Adapter for top hat rail mounting, HS-Adapter-01 For mounting the RESISTRON temperature controller RES-420 on a top hat rail (DIN TS35). Allows the controller to be installed in the electrical cabinet, for instance, where it is only accessible to authorized persons.</p>
	<p>Lockable door TUER-S/K-1 Transparent door (with lock) for mounting on the bezel of the controller. The display is clearly legible at all times. The keyboard can only be operated, however, by authorized persons in possession of a key.</p>
	<p>Measurement cable UML-1 Twisted measurement cable for the U_R voltage measurement. Trailing cable, halogen and silicone-free.</p>

5.2 Modifications (MODs)

Owing to its universal design, the RESISTRON temperature controller RES-420 is suitable for a very wide range of heatsealing applications. Modifications (MOD) are available for the RESISTRON temperature controller RES-420 for implementing special applications.

MOD 01

Amplifier for low secondary voltages ($U_R = 0.25 \dots 16 \text{ VAC}$). This modification is necessary, for example, for very short or low-resistance heatsealing bands.

MOD 33

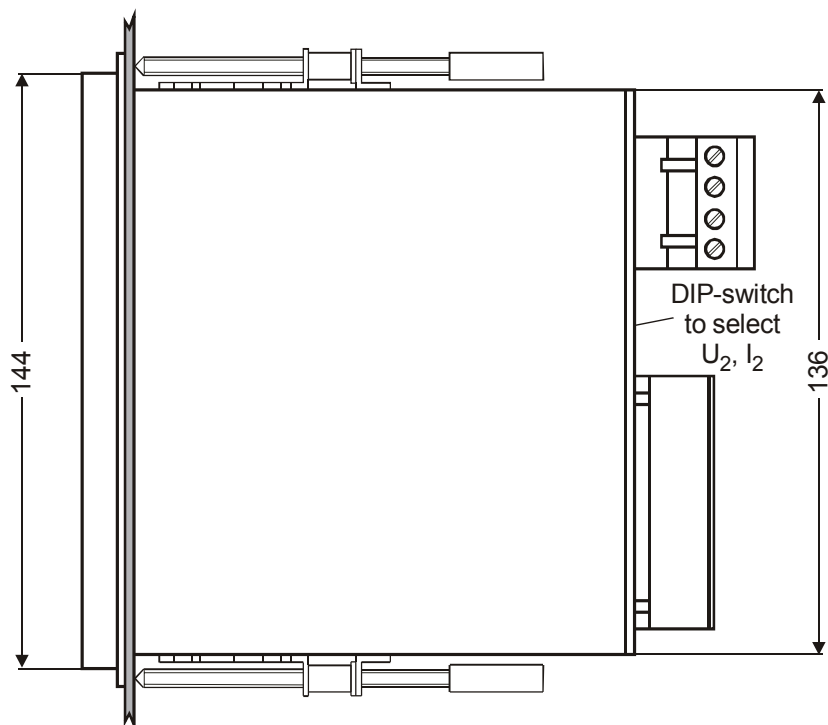
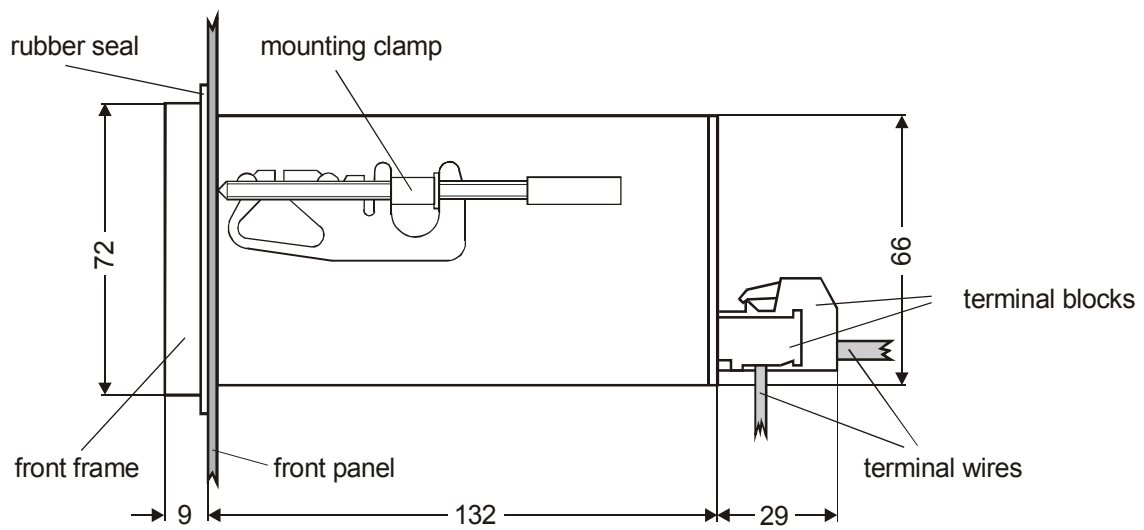
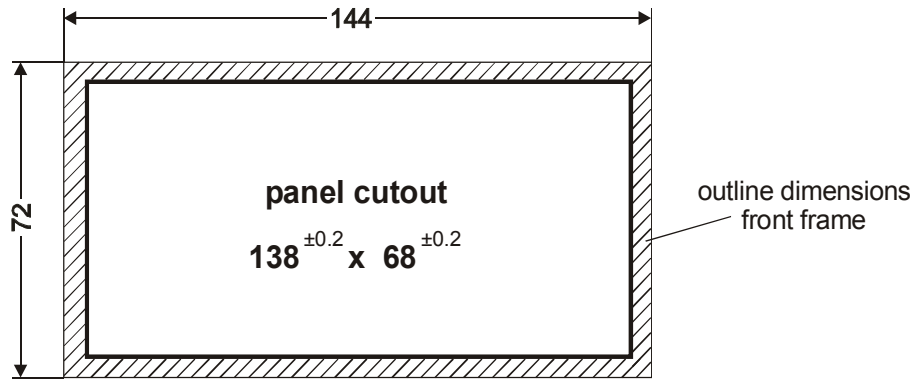
(Software revision 010 or higher)
 Important heatsealing process data can be output and logged via a serial RS232 interface (↪ §MOD 33" documentation).

6 Technical data

Type of construction	Housing for front panel mounting Dimensions (W x H): 144 x 72mm; depth: 161 mm (incl. terminals)
Line voltage	<p><u>All controllers manufactured as of January 2004:</u> 115VAC version: 115VAC -15%...120VAC +10% (equivalent to 98...132VAC) 230VAC version: 230VAC -15%...240VAC +10% (equivalent to 196...264VAC) 400VAC version: 400VAC -15%...415VAC +10% (equivalent to 340...456VAC)</p> <p><u>All controllers manufactured up to December 2003:</u> 115VAC, 230VAC or 400VAC, tolerance: +10% / -15%</p> <p>depending on device version (↪ Kap. 13 „How to order“ auf Seite 37)</p>
Line frequency	47...63Hz, automatic adjustment to frequencies in this range
Heatsealing band type and temperature range	<p>Several different ranges can be selected on the controller in the Configuration menu:</p> <p>Temperature coefficient 410ppm, 0...300°C (SW revision 021 or higher) Temperature coefficient 460ppm, 0...300°C (SW revision 019 or higher) Temperature coefficient 510ppm, 0...300°C (SW revision 019 or higher) Temperature coefficient 570ppm, 0...300°C (SW revision 019 or higher) Temperature coefficient 630ppm, 0...300°C (SW revision 019 or higher) Temperature coefficient 700ppm, 0...300°C (SW revision 019 or higher) Temperature coefficient 780ppm (e.g. Alloy L) 0...200°C, 0...300°C, 0...400°C, 0...500°C (SW revision 011 or higher)</p> <p>Temperature coefficient 870ppm, 0...300°C (SW revision 019 or higher) Temperature coefficient 980ppm, 0...300°C (SW revision 019 or higher) Temperature coefficient 1100ppm (e.g. Alloy 20): 0...200°C, 0...300°C, 0...400°C, 0...500°C</p> <p>Temperature coefficient 3500ppm (e.g. NOREX): 0...200°C, 0...300°C</p>
Set point selection	Via the Settings menu in the controller
Digital logic levels Terminals 3, 4	LOW (0V): 0...2VDC HIGH (24VDC): 12...30VDC (max. current input 6mA) Electrically isolated, reverse polarity-protected
START with contact Terminals 2+7	Switching threshold: 3.5VDC, $U_{\max} = 5\text{VDC}$, $I_{\max} = 5\text{mA}$
Alarm relay Terminals 5+6	Contact, potential-free, $U_{\max} = 50\text{VDC}$, $I_{\max} = 0.2\text{A}$
Maximum load (primary current of impulse transformer)	$I_{\max} = 5\text{A}$ (duty cycle = 100%) $I_{\max} = 25\text{A}$ (duty cycle = 20%)
Display	LC display (green), 4 lines, 20 characters, alternatively: VF display (blue), 4 lines, 20 characters
Ambient temperature	+5...+45°C


Degree of protection	Front: IP42 (IP65 with transparent front cover, Art. No. 887000) Back: IP20
Installation	Installed in front panel cutout with (W x H) 138 ^(+0.2) x 68 ^(+0.2) mm Fastened with clips
Weight	Approx. 1.0kg (incl. connector plug-in parts)
Housing material	Black plastic, type Noryl SE1 GFN2
Connecting cable Type / cross-sections	Rigid or flexible; 0.2...2.5mm ² (AWG 24...12) Plug-in connectors

7 Dimensions/front panel cutout



8 Installation

↪ See also Kap. 1 „Safety and warning notes“ auf Seite 3.

 **Installation and startup may only be performed by technically trained, skilled persons who are familiar with the associated risks and warranty provisions.**


8.1 Installation procedure

Proceed as follows to install the RESISTRON temperature controller RES-420:

1. Switch off the line voltage and verify that all circuits are deenergized.
2. The supply voltage specified on the nameplate of the RESISTRON temperature controller must be identical to the line voltage that is present in the plant or machine. The line frequency is

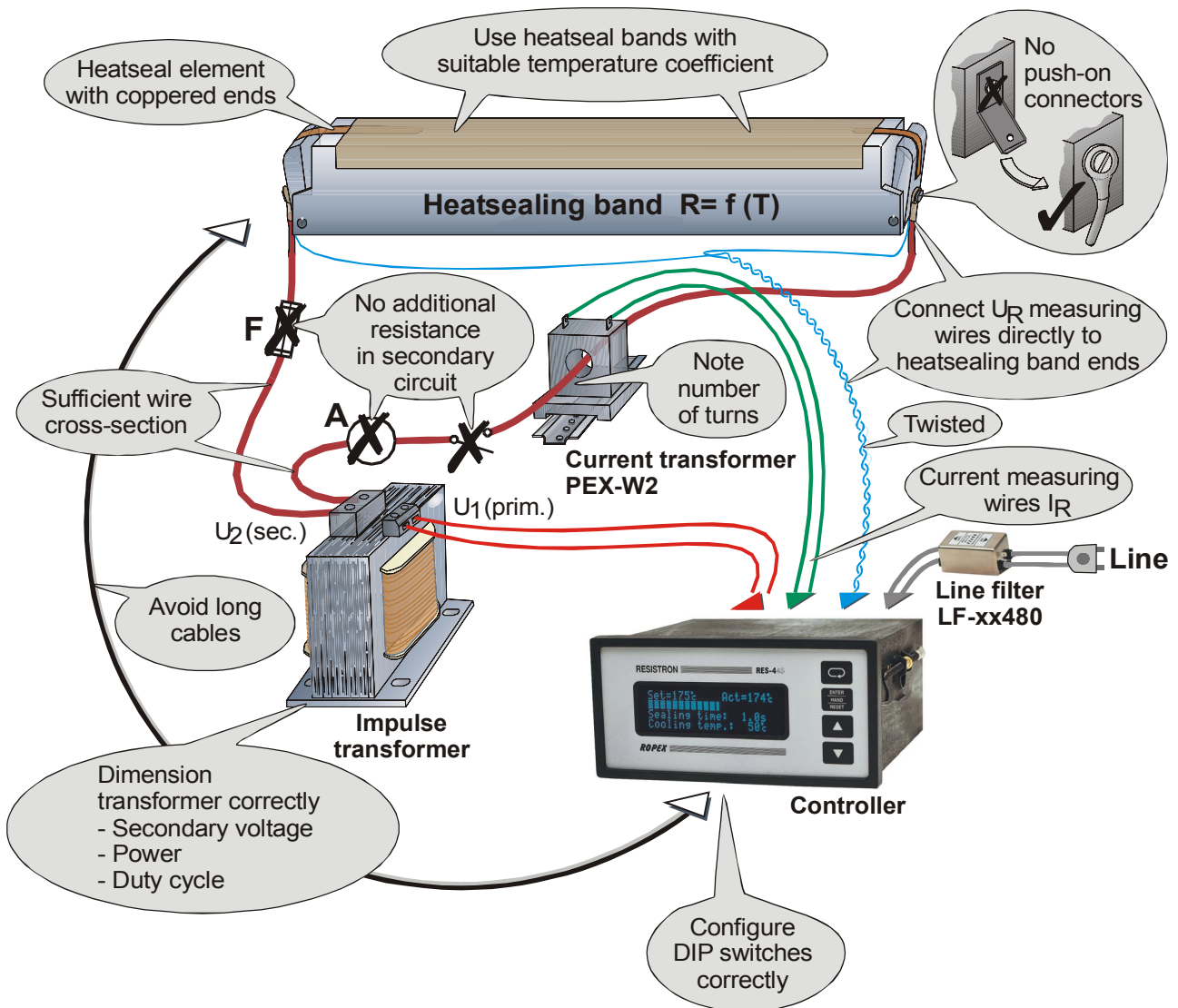
automatically detected by the temperature controller in the range from 47Hz to 63Hz.

3. Install the RESISTRON temperature controller in the front panel cutout. It is fastened by means of two clips which snap onto the side of the controller housing.
4. Wire the system in accordance with the instructions in Kap. 8.3 „Power supply“ auf Seite 13, Kap. 8.6 „Wiring diagram (standard)“ auf Seite 15 and the ROPEX Application Report. The information provided in Kap. 8.2 „Installation steps“ auf Seite 12 must be heeded additionally.

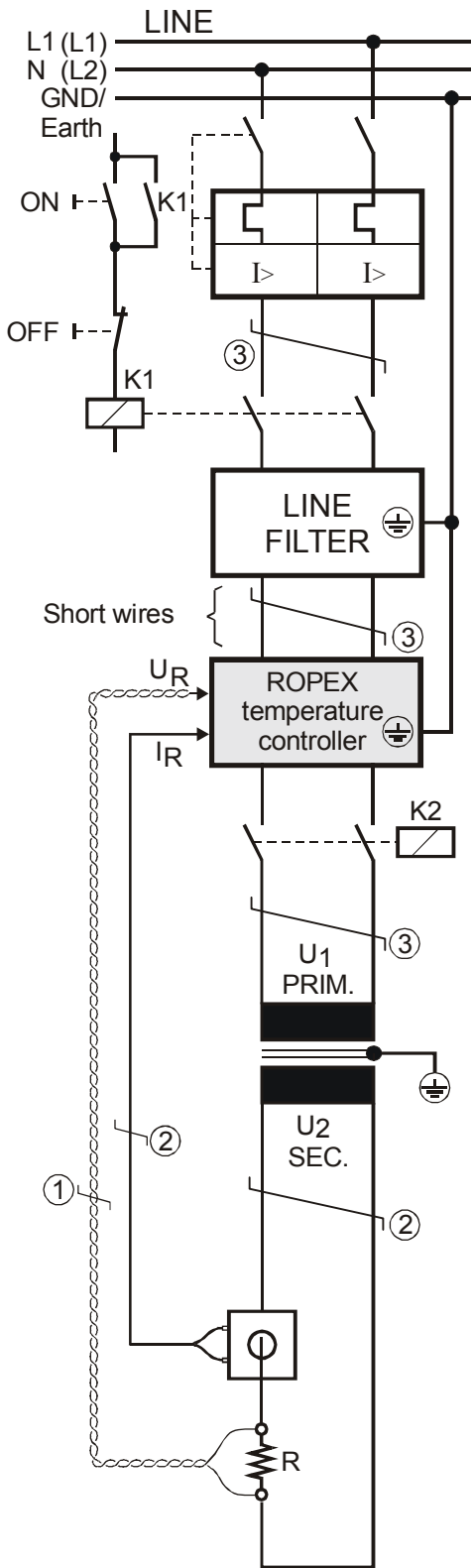
 **Check the tightness of all the system connections, including the terminals for the impulse transformer windings.**

5. Make sure that the wiring conforms to the relevant national and international installation regulations.

8.2 Installation steps



8.3 Power supply



Line

115VAC, 230VAC, 400VAC

Circuit breaker

Double-pole, Z characteristic
 Rated current: 16A, e.g. ABB-STOTZ, Type S282-Z16 (for all applications)

! Short-circuit protection only.
 RESISTRON temperature controller not protected.

Relay K1

For "HEAT ON - OFF" function (all-pole) or "EMERGENCY STOP".

Line filter

The filter type and size must be determined according to the load, the transformer and the machine wiring (☞ ROPEX Application Report).

! Do not lay the filter supply wires (line side) parallel to the filter output wires (load side).

RESISTRON temperature controller belonging to the "series 4xx".

Relay K2

Load break (all-pole), e.g. in combination with the alarm output of the temperature controller.

Impulse transformer

Designed according to VDE 0570/EN 61558 (isolating transformer with reinforced insulation). Connect core to ground.

! Use transformers with a one-section bobbin. The power, duty cycle and voltage values must be determined individually according to the application (☞ ROPEX Application Report and "Accessories" leaflet for impulse transformers).

Wiring

The wire cross-sections depend on the application (☞ ROPEX Application Report).

Guide values:

Primary circuit: min. 1.5mm², max. 2.5mm²

Secondary circuit: min. 4.0mm², max. 25mm²

- ① These wires must always be twisted (>20/m)
- ② These wires must be twisted (>20/m) if several control loops are laid together ("crosstalk").
- ③ Twisting (>20/m) is recommended to improve EMC.

8.4 Line filter

To comply with EMC directives – corresponding to EN 50081-1 and EN 50082-2 – RESISTRON control loops must be operated with line filters.

These filters damp the reaction of the phase-angle control on the line and protect the controller against line disturbances.

! The use of a suitable line filter is part of the standards conformity and a prerequisite of the CE mark.

and wired correctly, they guarantee compliance with the EMC limit values.

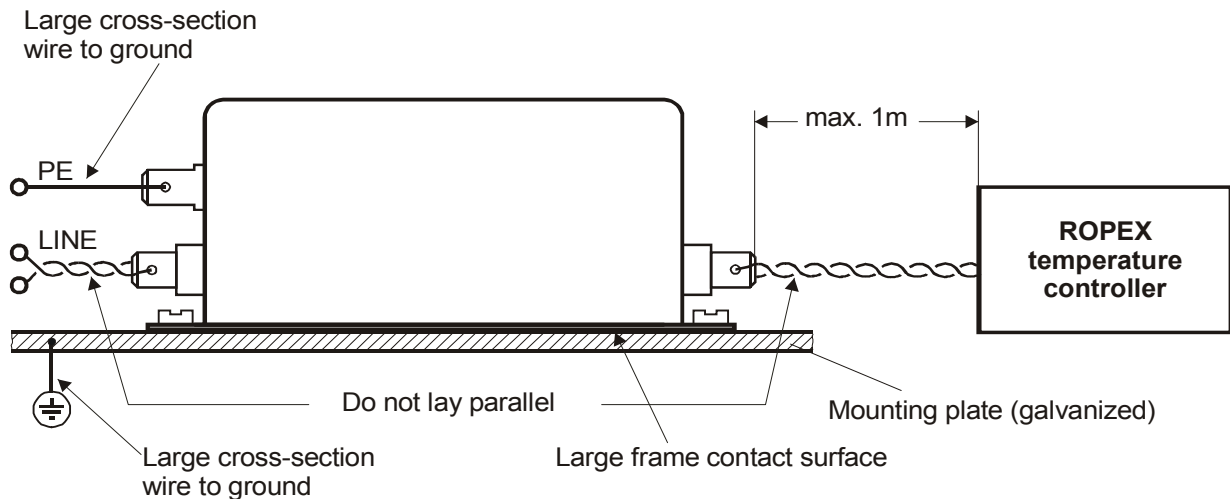
You can find the exact specification of the line filter in the ROPEX Application Report calculated for your particular heatsealing application.

For more technical information: ↪ "Line filter" documentation.

! It is permissible to supply several RESISTRON control loops with a single line filter, providing the total current does not exceed the maximum current of the filter.

ROPEX line filters are specially optimized for use in RESISTRON control loops. Providing they are installed

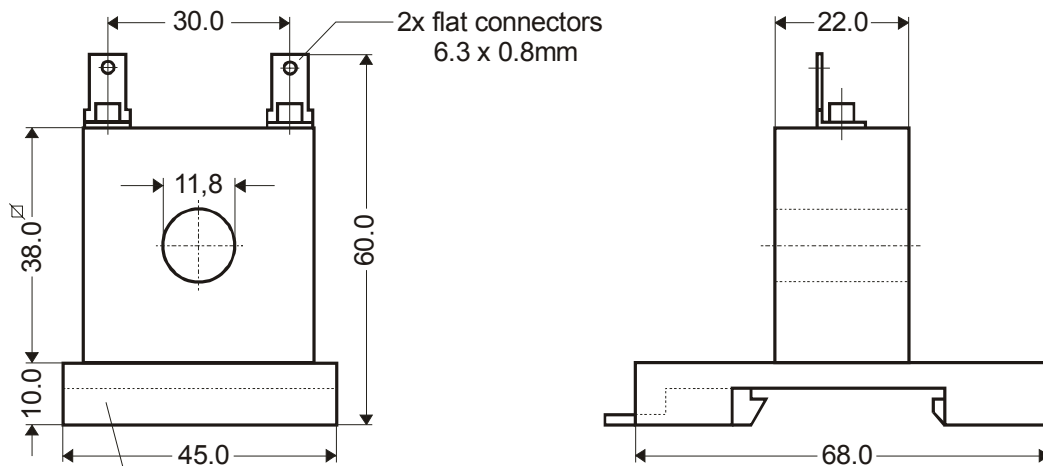
The wiring instructions contained in section 8.3 "Power supply" on page 13 must be observed.



8.5 Current transformer PEX-W2

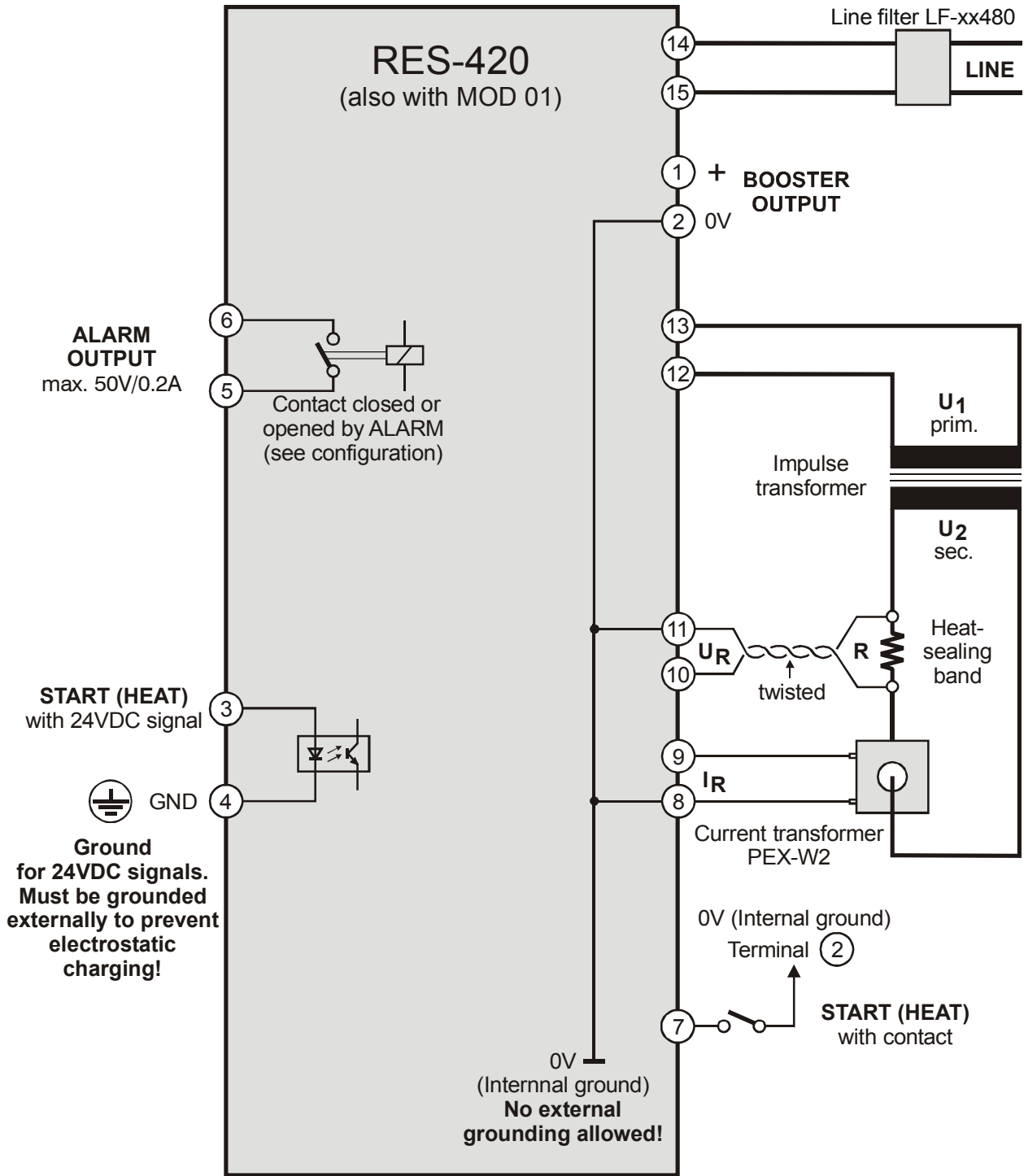
The PEX-W2 current transformer supplied with the RESISTRON temperature controller is an integral part

of the control system. The current transformer may only be operated if it is connected to the temperature controller correctly (↪ section 8.3 "Power supply" on page 13).

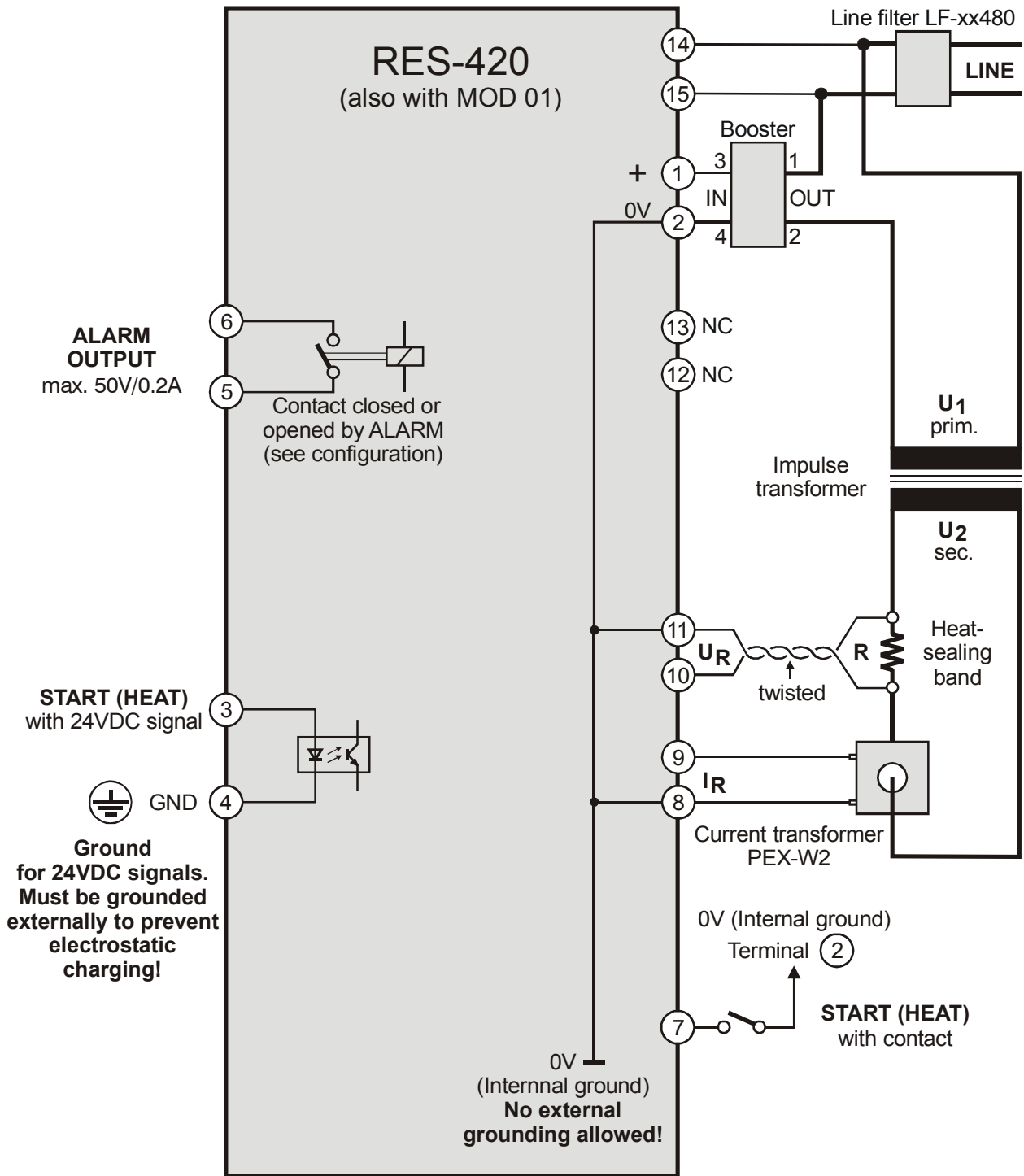


Snap-on plate for top hat rail (DIN TS35 rail), 35 x 7.5mm or 35 x 15mm, acc. DIN EN 50022

8.6 Wiring diagram (standard)

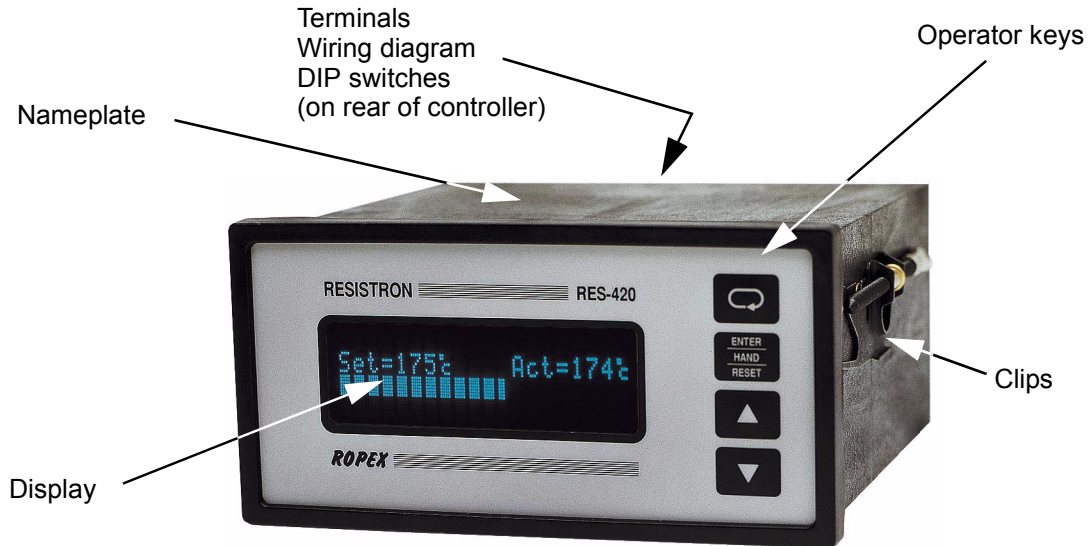


8.7 Wiring diagram with booster connection

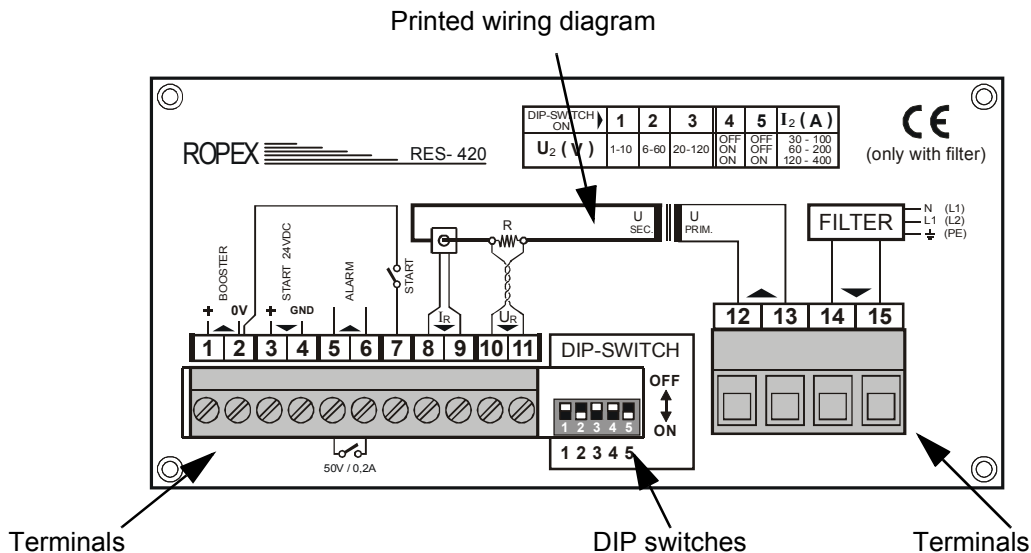


9 Startup and operation

9.1 Front view of the controller



9.2 Rear view of the controller



9.3 Controller configuration

The possible controller configurations are explained in the following sections. Proceed as described in Kap. 9.5.1 „Initial startup“ auf Seite 20 to start up the controller for the first time.

9.3.1 Configuration of the DIP switches for secondary voltage and current

The controller must be switched off in order to configure the DIP switches.

Set the DIP switches for matching the secondary voltage U_2 and the secondary current I_2 to the correct position for **your** application.

! You can find the exact configuration of the DIP switches in the ROPEX Application Report calculated for your particular application.

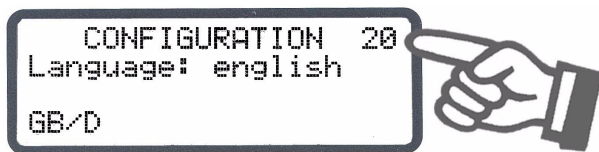
U_2 ↓	DIP switch			I_2 ↓	DIP switch	
	1	2	3		4	5
1...10V	ON	OFF	OFF	30...100A	OFF	OFF
6...60V	OFF	ON	OFF	60...200A	ON	OFF
20...120V	OFF	OFF	ON	120...400A	ON	ON

If the secondary current I_2 is less than 30A, the PEX-W2 current transformer must have two turns (↪ ROPEX Application Report).



9.3.2 Setting the language

The menu language can be changed on the controller without interrupting operation. It is set with step 20 in the Configuration menu:



The following settings are possible:
 English, German, Italian
 SW revision 015 or higher also:
 French, Spanish, Dutch, Danish, Finnish, Swedish, Greek, Turkish.
 SW revision 024 or higher also: Portuguese.

! The language which is selected in this menu remains set even if the factory settings are restored (step 21 in the Configuration menu).

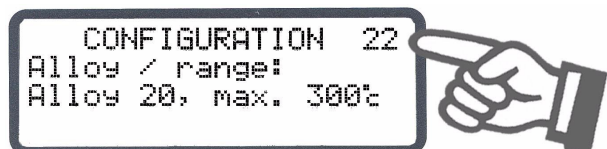
9.3.3 Restoring the factory settings

The internal controller settings can be reset to the factory settings with step 21 in the Configuration menu. Only the language setting (step 20 in the Configuration menu) remains unchanged. Please refer to Kap. 11 „Factory settings“ auf Seite 36 for more information about the factory settings.

! If the controller settings are unknown when it is started up for the first time, the factory settings must be restored in order to prevent malfunctions.

9.3.4 Configuration of the alloy and the temperature range

These parameters are set with step 22 in the Configuration menu:



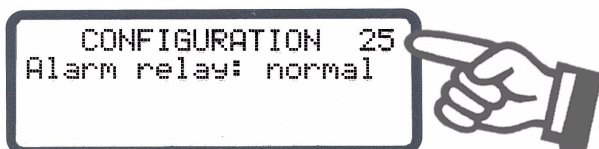
Several different ranges can be selected:

1. **Temperature coefficient 410ppm, 0...300°C** (software revision 021 or higher)
2. **Temperature coefficient 460ppm, 0...300°C** (software revision 019 or higher)
3. **Temperature coefficient 510ppm, 0...300°C** (software revision 019 or higher)

4. **Temperature coefficient 570ppm, 0...300°C**
(software revision 019 or higher)
5. **Temperature coefficient 630ppm, 0...300°C**
(software revision 019 or higher)
6. **Temperature coefficient 700ppm, 0...300°C**
(software revision 019 or higher)
7. **Temperature coefficient 780ppm, 0...200°C**
(e.g. Alloy L, software revision 011 or higher)
8. **Temperature coefficient 780ppm, 0...300°C**
(e.g. Alloy L, software revision 011 or higher)
9. **Temperature coefficient 780ppm, 0...400°C**
(e.g. Alloy L, software revision 011 or higher)
10. **Temperature coefficient 780ppm, 0...500°C**
(e.g. Alloy L, software revision 011 or higher)
11. **Temperature coefficient 870ppm, 0...300°C**
(software revision 019 or higher)
12. **Temperature coefficient 980ppm, 0...300°C**
(software revision 019 or higher)
13. **Temperature coefficient 1100ppm, 0...200°C**
(e.g. Alloy-20)
14. **Temperature coefficient 1100ppm, 0...300°C (•)**
(e.g. Alloy-20)
15. **Temperature coefficient 1100ppm, 0...400°C**
(e.g. Alloy-20)
16. **Temperature coefficient 1100ppm, 0...500°C**
(e.g. Alloy-20)
17. **Temperature coefficient 3500ppm, 0...200°C**
(e.g. NOREX)
18. **Temperature coefficient 3500ppm, 0...300°C**
(e.g. NOREX)

9.3.5 Configuration of the alarm relay

The alarm relay is set with step 25 in the Configuration menu:



There are two possible settings:

1. **"Normal"(••)**
Alarm relay contact closed by alarm
2. **"Inverse"**
Alarm relay contact opened by alarm

- (•) Factory setting
(••) Factory setting

9.4 Heatsealing band

9.4.1 General

The heatsealing band is a key component in the control loop, since it is both a heating element and a sensor. The geometry of the heatsealing band is too complex to be discussed at length here. We shall therefore only refer to a few of the most important physical and electrical properties:

The measuring principle applied for this system necessitates a heatsealing band alloy with a suitable temperature coefficient TCR, i.e. one whose resistance increases as the temperature rises.

Too low a TCR leads to oscillation or uncontrolled heating.

When heatsealing bands with a higher TCR are used, the controller must be calibrated for this.

The first time the heatsealing band is heated to approximately 200...250°C, the standard alloy undergoes a once-only resistance change (burn-in effect). The cold resistance of the heatsealing band is reduced by approximately 2...3%. However, this at first glance slight resistance change results in a zero point error of 20...30°C. The zero point must therefore be corrected after a few heating cycles (↳ Kap. 9.4.2 „Burning in the heatsealing band“ auf Seite 19).

One very important design feature is the copper or silver-plating of the heatsealing band ends. Cold ends allow the temperature to be controlled accurately and increase the life of the teflon coating and the heatsealing band.

⚠ An overheated or burned-out heatsealing band must no longer be used because the TCR has been altered irreversibly.

9.4.2 Burning in the heatsealing band

If a new heatsealing band has been used, the zero point is first of all calibrated while the band is still cold by activating the "AUTOCAL" function on the controller. When the "AUTOCAL" function has finished, the controller outputs the preselected calibration temperature (default value: 20°C). Adjust the set point to approximately 250°C and press the "HAND" key (display in home position) to heat for approximately 1 second. After recooling, the controller usually indicates a value less than 20°C. Repeat the "AUTOCAL" function. The heatsealing band has now been burned in and the change in the alloy properties stabilized.

The burn-in effect described here does not occur if the heatsealing band has already been thermally pretreated by the manufacturer.

9.4.3 Replacing the heatsealing band

All power supply leads must be disconnected from the RESISTRON temperature controller in order to replace the heatsealing band.

! The heatsealing band must be replaced in accordance with the instructions provided by the manufacturer.

Each time the heatsealing band is replaced, the zero point must be calibrated with the AUTOCAL function while the band is still cold, in order to compensate production-related resistance tolerances. The burn-in procedure described above must be performed for all new heatsealing bands.

9.5 Startup procedure

Please also refer to Kap. 1 „Safety and warning notes“ auf Seite 3 and Kap. 2 „Application“ auf Seite 4.

! Installation and startup may only be performed by technically trained, skilled persons who are familiar with the associated risks and warranty provisions.

9.5.1 Initial startup

Prerequisites: The controller must be correctly installed and connected (↪ Kap. 8 „Installation“ auf Seite 11).

The possible settings are described in detail in Kap. 9.3 „Controller configuration“ auf Seite 17 and Kap. 10 „Controller functions“ auf Seite 21.

The essential controller configurations are described below:

1. Switch off the line voltage and verify that all circuits are deenergized.
2. The supply voltage specified on the nameplate of the controller must be identical to the line voltage that is present in the plant or machine. The line frequency is automatically detected by the temperature controller in the range from 47 to 63Hz.
3. The settings of the DIP switches on the controller depend on the ROPEX Application Report and the heatsealing band that is used (Kap. 9.3 „Controller configuration“ auf Seite 17).
4. Make sure that a START signal is not present.

5. Switch on the line voltage.
6. A power-up message appears on the display for approximately 2 seconds when the controller is switched on to indicate that it has been started up correctly.
7. One of the following states then appears:

DISPLAY	ACTION
Main menu	Go to 8
Alarm signal with error codes 104...106, 111...113, 211	Go to 8
Alarm signal with error codes 101...103, 107, 108, 201...203, 801, 9xx	Fault diagnosis (↪ 10.17)

8. Set the controller configuration as described in Kap. 9.3 „Controller configuration“ auf Seite 17. The following settings are always required:

Setting	Step in Configuration menu
Language	20
Restore factory settings	21
Temperature range and heatsealing band alloy	22

9. Activate the AUTOCAL function while the heatsealing band is still cold (with step 7 in the Settings menu). The progress of the calibration process is indicated by a counter on the display (approx. 10...15s).

When the zero point has been calibrated, the display is reset to the home position and 20°C is indicated as the actual value.

If the zero has not been calibrated successfully, an alarm signal indicates error codes 104...106, 211. In this case the controller configuration is incorrect (↪ Kap. 9.3 „Controller configuration“ auf Seite 17 and ROPEX Application Report). Repeat the zero point calibration after the controller has been configured correctly.

10. When the zero point has been calibrated successfully, the main menu appears on the display again. Then specify a defined temperature (heatsealing temperature) with step 1 in the Settings menu and activate the "START" signal (HEAT). Alternatively, a heatsealing process can be

started by pressing the "HAND" key (display in home position). The indication of the ACTUAL temperature on the display (digital value and dynamic bar) permits the heating and control process to be monitored.

The controller is functioning correctly if the temperature indicated on the display has a continuous curve, in other words it must not jump abruptly, fluctuate or deviate temporarily in the wrong direction. This kind of behavior would indicate that the U_R measuring wire has been laid incorrectly.

If an error code is displayed, please proceed as described in Kap. 10.17 „Error messages“ auf Seite 34.

11. Burn in the heatsealing band (↪ Kap. 9.4 „Heatsealing band“ auf Seite 19) and repeat the AUTOCAL function.

The controller is now ready

9.5.2 Restart after replacing the heatsealing band

To replace the heatsealing band, proceed as described in Kap. 9.4 „Heatsealing band“ auf Seite 19.

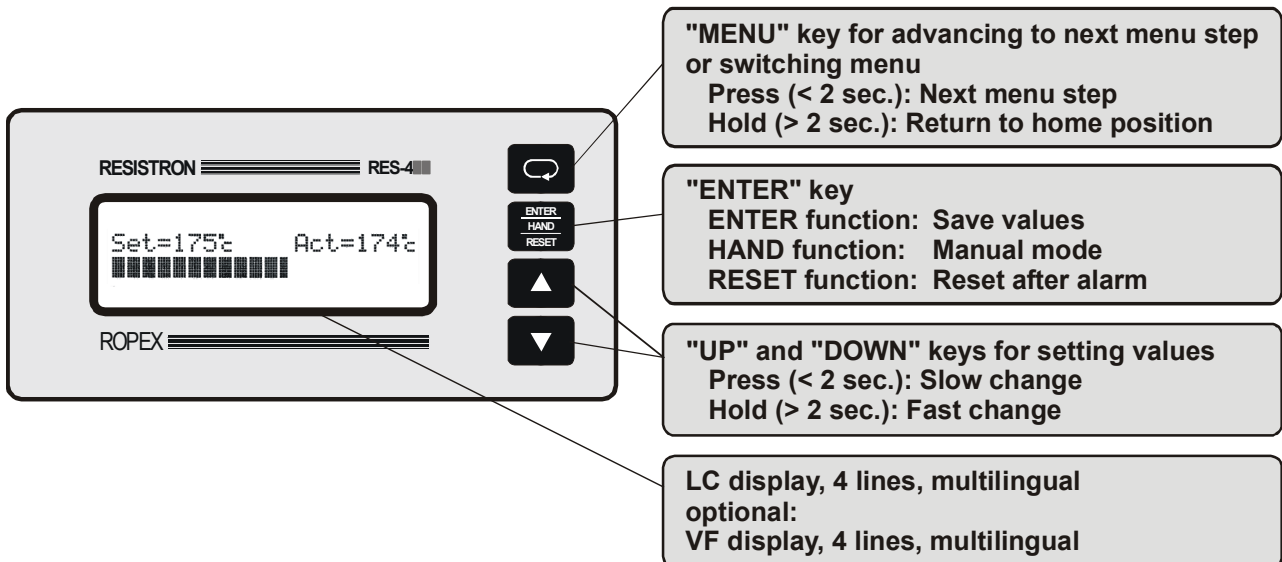
Always use a heatsealing band with the correct alloy, dimensions and copper-plating in order to avoid malfunctions and overheating.

Continue with section 9.5.1, steps 9 and 10.

10 Controller functions

See also Kap. 8.6 „Wiring diagram (standard)“ auf Seite 15.

10.1 Indicators and controls

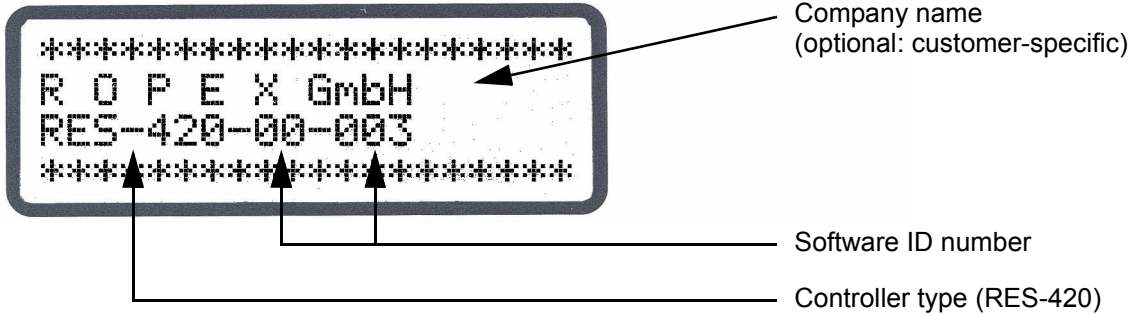


10.2 Display

switched on. This message also includes details of the software version.

10.2.1 Power-up message

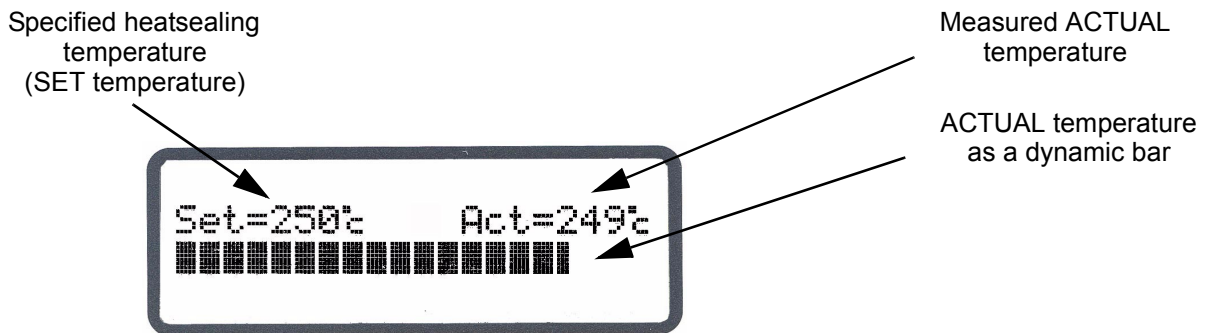
A power-up message appears on the display for approximately 2 seconds when the controller is



10.2.2 Display in home position

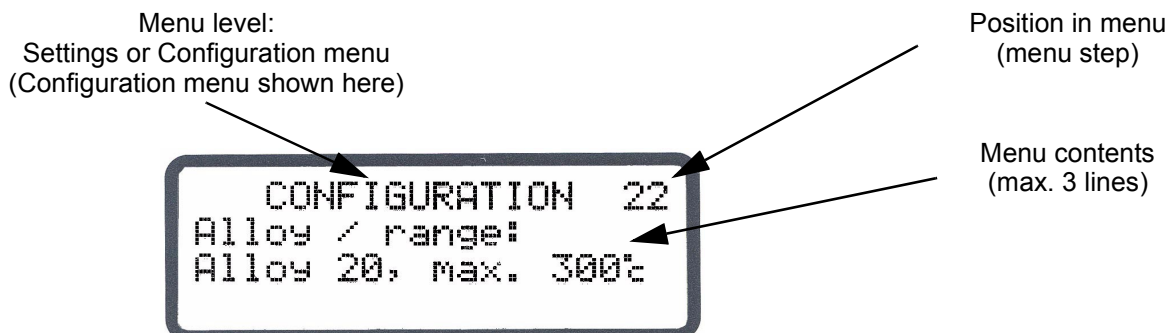
If no settings are entered on the controller and no alarm signals are present, the display is in the home position,

in other words it indicates the SET temperature as a digital value and the ACTUAL temperature as a digital value and a dynamic bar.



10.2.3 Settings/Configuration menus

The required parameters are set on two menu levels: the Settings (control) menu and the Configuration menu (↳ Kap. 10.4 „Menu structure“ auf Seite 25).



10.2.4 Alarm signals

The fault diagnosis function of the controller is always active. If a fault is detected, it is indicated on the display

immediately in the form of an alarm signal (→ Kap. 10.16 „System monitoring/alarm output“ auf Seite 33).



10.3 Navigation in the menus

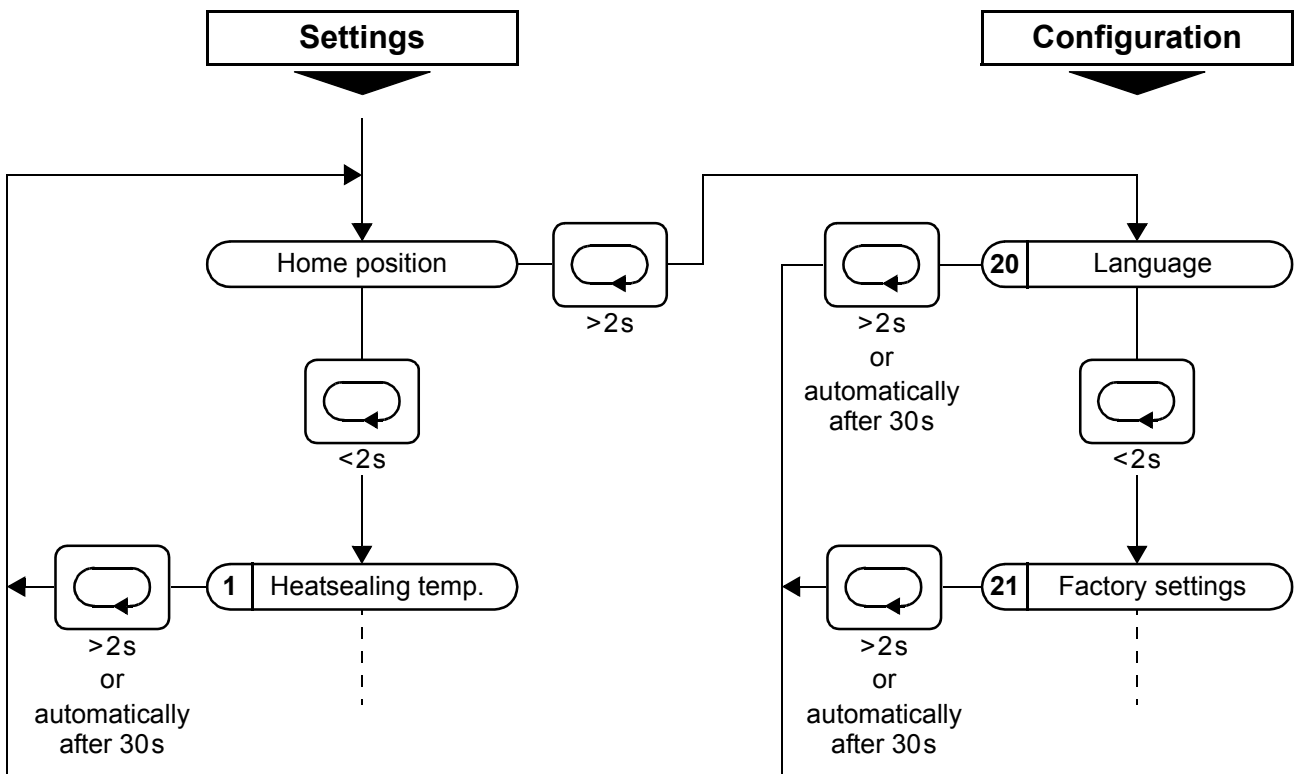
10.3.1 Navigation in menus without an alarm

A "MENU" key is provided for navigating through the various menu steps and levels. By pressing this key briefly (<2s) at any time, you can jump to the next menu step. By pressing the key for longer (>2s), you can return to the home position from anywhere in the menu

structure, providing a controller alarm is not active. In this case, the Alarm menu is opened instead.

If the display is in the home position or an alarm is indicated and you press the "MENU" key for longer than 2s, you are taken directly to the configuration level (starting at step 20).

In addition, you always return to the home position if you do not press any keys for a period of 30s. There is no automatic return after 30s from "AUTOCAL" or "Alarm".



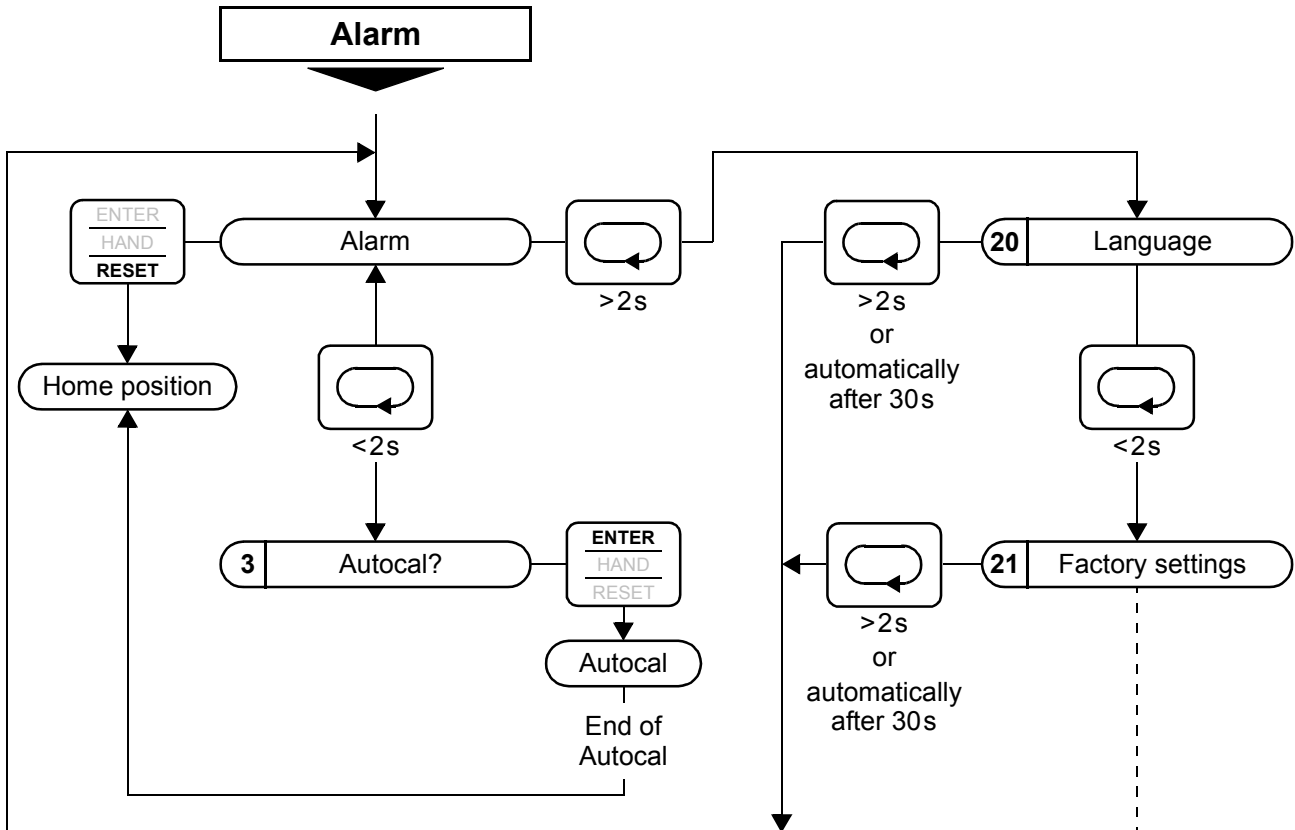
10.3.2 Navigation in menus with an alarm

If an alarm is signaled, the controller switches to the Alarm menu. Some faults can be acknowledged by pressing the "RESET" key (↵ Kap. 10.16 „System monitoring/alarm output“ auf Seite 33). In this case, the controller switches back to the home position.

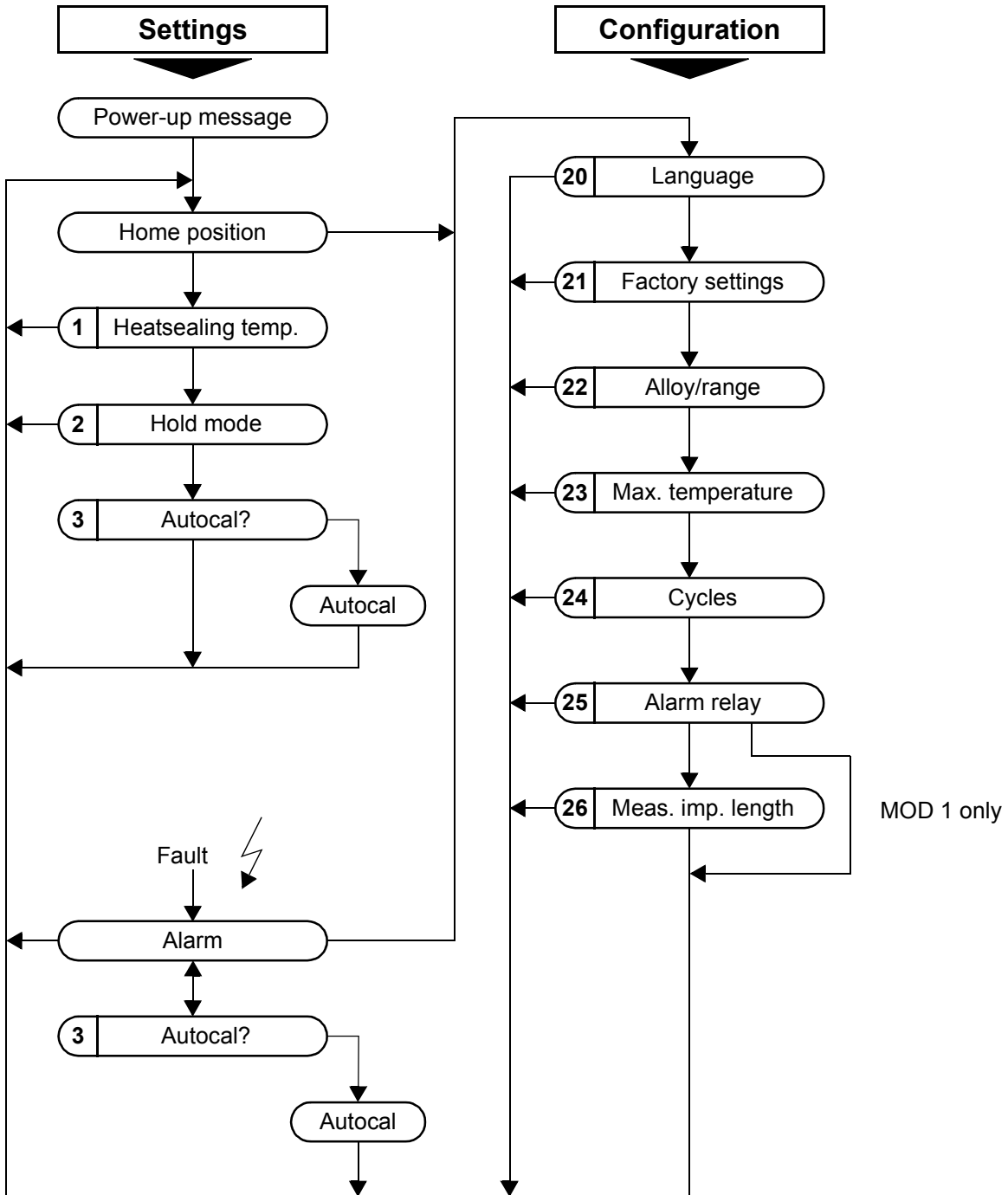
If the fault can be rectified by executing the AUTOCAL function, you can select the "AUTOCAL" menu step directly by briefly pressing the "MENU" key (<2s). You

can then activate the "AUTOCAL" function by pressing the "ENTER" key (↵ Kap. 10.8 „Automatic zero calibration (AUTOCAL)“ auf Seite 29).

If you press the "MENU" key for longer than 2s in the Alarm menu, you are taken directly to the configuration level (starting at step 20). You can return from the Configuration menu to the Alarm menu either by pressing the "MENU" key for longer than 2s or by not pressing any keys for 30s.




10.4 Menu structure



10.5 Menu steps

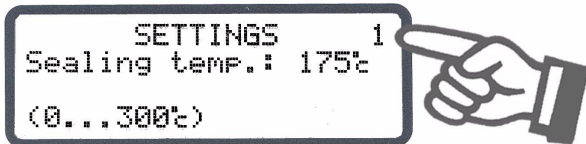
No.	Name	Description	Setting range
	Home position	<p>The specified set value and the current actual value are displayed in digital form. The actual value is also represented as a dynamic bar.</p> <p>If time control (step 26) is active, the heatsealing time and the cooling value are also displayed.</p> <p>The heatsealing band can be heated manually (to the specified heatsealing temperature) by pressing the "HAND" key.</p>	
1	Heatsealing temperature	<p>The required heatsealing temperature (set point) can be set with the "UP" and "DOWN" keys. The maximum selectable set point can be limited with step 22 (alloy/range) and step 23 (max. temperature). The set point is indicated in the home position.</p>	Depends on setting of step 22: 0, 40°C...maximum temperature (step 23)
2	Hold mode	<p>If the "Hold" function is activated, the last measured value at the end of the heating phase is stored and displayed.</p> <p>The "ACT" (actual value) information in the home position is replaced by "Hold". This procedure is repeated for every cycle and the displayed value is updated. The word "Hold" is invisible for 100ms before the value is updated.</p> <p>If you select the "2 second hold" function, the display changes back from hold mode to the actual value in real time after 2 seconds. The hold function is then activated again for 2 seconds at the end of the next cycle.</p>	ON OFF 2 s
3	Autocal	<p>The AUTOCAL function matches the controller to the current and voltage signals that are present in the system.</p> <p>The required calibration temperature can be set with the "UP" and "DOWN" keys. Pressing the "ENTER" key stores the set value and starts the "AUTOCAL" function.</p> <p>The word "- Calibration -" appears on the display while the AUTOCAL function is executing and a counter counts down from 13 to 0. When the controller has been calibrated successfully, the display switches back directly to the home position.</p> <p>If the controller cannot be calibrated, the AUTOCAL function is aborted and an error message is displayed instead.</p>	0...40°C

No.	Name	Description	Setting range
20	Language	The desired display language can be selected with this menu step.	English German Italian SW revision 015 or higher also: French, Spanish, Dutch, Danish, Finnish, Swedish, Greek, Turkish. SW revision 024 or higher also: Portuguese.
21	Factory settings	The controller can be reset to the factory settings by pressing the "ENTER" key. The default values are loaded in the controller again (↳ Kap. 11 „Factory settings“ auf Seite 36).	
22	Alloy/range	<p>Various heatsealing band alloys and temperature ranges can be selected here. The corresponding characteristic for the controller parameters is calculated on the basis of this setting.</p> <p> Please be very careful to select the heatsealing band material with the correct alloy.</p> <p>The temperature range setting permits the controller to be matched to the required operating range. This also determines the scale for the bar display.</p>	<p>(Availability depends on SW revision)</p> <p>TCR 410ppm, 300°C TCR 460ppm, 300°C TCR 510ppm, 300°C TCR 570ppm, 300°C TCR 630ppm, 300°C TCR 700ppm, 300°C TCR 780ppm, 200°C TCR 780ppm, 300°C TCR 780ppm, 400°C TCR 780ppm, 500°C TCR 870ppm, 300°C TCR 980ppm, 300°C TCR 1100ppm, 200°C TCR 1100ppm, 300°C TCR 1100ppm, 400°C TCR 1100ppm, 500°C TCR 3500ppm, 200°C TCR 3500ppm, 300°C</p>
23	Maximum temperature	This menu item specifies the maximum selectable set point (step 1) within the range defined by step 22.	0 to max. temperature range (step 22)
24	Cycles	The number of heating impulses (not manual impulses) is counted and displayed with this menu step. The counter can be reset either by pressing the "ENTER" key or by restoring the factory settings.	Reset with "ENTER" key

No.	Name	Description	Setting range
25	Alarm relay	<p>This menu step permits the switching characteristics of the alarm relay to be configured.</p> <ul style="list-style-type: none"> • Normal: The alarm relay output (terminals 5+6) operates as an NO contact in the event of an alarm. • Inverse: The alarm relay output (terminals 5+6) operates as an NC contact in the event of an alarm. 	<p>Normal</p> <p>Inverse</p>
26	Measuring impulse length	The length of the measuring impulse can be changed here. This function is only available with a few special applications (MOD 1).	1.7...3.0ms

10.6 Temperature setting (set point selection)

The heatsealing temperature can be set on the RES-420 controller by means of the setting in menu step 1.



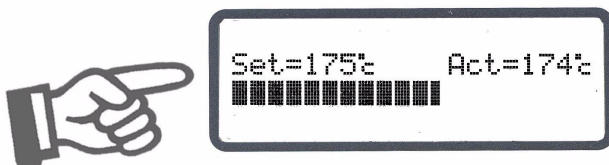
! The maximum value of the setting range is limited either by the maximum value specified with step 23 in the Configuration menu or by the heatsealing band type/temperature range set with step 22.

The set point that is selected for the heatsealing temperature must be greater than 40°C. If not, the heatsealing band will not be heated up when the "START" signal is activated or the "HAND" key is pressed.

The set heatsealing temperature is displayed in the main menu once it has been entered.

10.7 Temperature indication

If the display is in the home position, the ACTUAL temperature is indicated there as a digital value and as a dynamic bar.



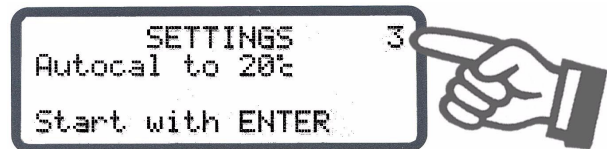
The heating and control process can thus be monitored at any time.

10.8 Automatic zero calibration (AUTOCAL)

Owing to the automatic zero calibration (AUTOCAL) function, there is no need to adjust the zero point manually on the controller. The "AUTOCAL" function matches the controller to the current and voltage signals that are present in the system.

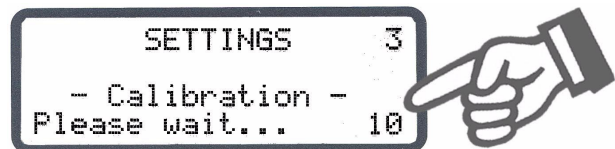
You can activate this function by selecting step 3 in the Settings menu and then pressing the "ENTER" key. The initial temperature (ambient temperature) of the heatsealing bar(s) which is currently valid for calibration can be set beforehand in the 0...40°C range using the "UP" and "DOWN" keys.

The zero point is calibrated in the factory to 20°C.



The automatic calibration process takes around 10...15 seconds. The heatsealing band is not heated until the calibration process has finished.

The message "- Calibration - Please wait..." appears on the display while the "AUTOCAL" function is executing and a counter counts down from 13 to 0.



! You should always wait for the heatsealing band and the bar to cool down (to ambient temperature) before activating the "AUTOCAL" function.

Reasons for disabled AUTOCAL function:

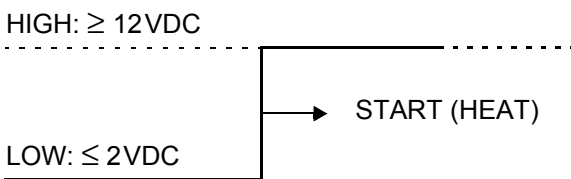
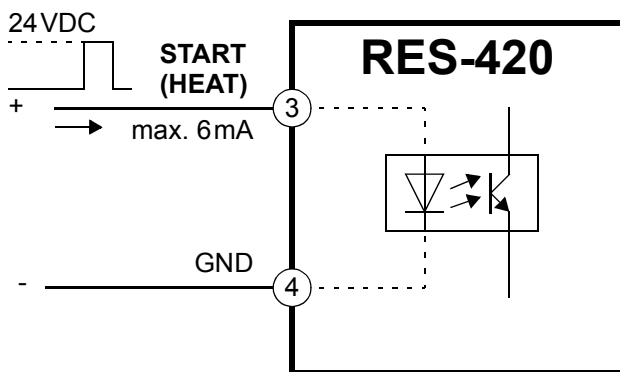
1. The "AUTOCAL" function cannot be activated if the heatsealing band cools down at a rate of more than 0.1K/second. This is additionally indicated with step 3 in the Settings menu by the message "Heatsealing band still hot! Please wait...".
2. If the "START" signal (24VDC or contact) is activated, the AUTOCAL function is not executed. As of software revision 024 this is additionally indicated with step 3 in the Settings menu by the message „Autocal locked ! (START-Sig. active)“.
3. Directly after the controller is powered up, the AUTOCAL function cannot be activated if a fault with error code 101...103, 201...203, 801 or 9xx occurs (↪ Kap. 10.17 „Error messages“ auf Seite 34). If the controller has already operated correctly - a minimum of once - after powering up, the AUTOCAL function cannot be activated with error codes 201...203, 801 or 9xx.

10.9 "START" signal (HEAT)

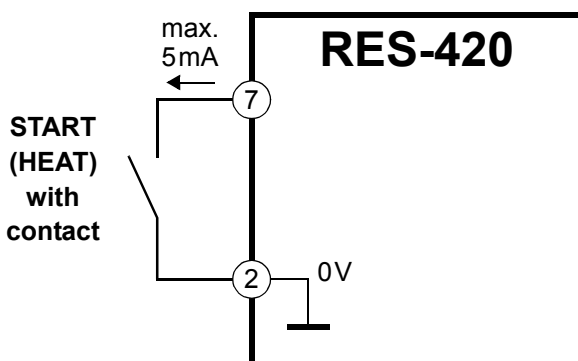
When the "START" signal is activated, the controller-internal set/actual comparison is enabled immediately and the heatsealing band is heated up to the SET temperature. It remains at this temperature until the signal is deactivated again. This process can also be started independently of the "START" signal by pressing the "ENTER" key ("HAND" function) while the main menu is displayed.

The "START" signal can be activated in two ways:

- By means of a 24VDC signal at terminals 3+4.



- By means of a control contact at terminals 2+7



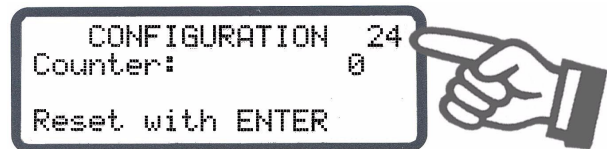
⚠ The "START" signal is disabled as long as the AUTOCAL function is executing in the Settings menu (with step 3).

The set point that is selected for the heatsealing temperature (step 1 in the Settings menu) must be greater than 40°C. If not, the heatsealing band will not be heated up.

The alarm relay is switched if the "START" signal is activated while an alarm signal is indicating error codes 104...105, 111...113 or 211 (↪ Kap. 10.17 „Error messages“ auf Seite 34). The heatsealing band is likewise not heated.

10.10 Cycle counter

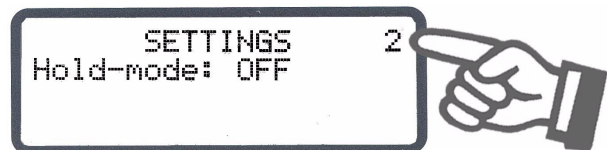
Each activation of the "START" signal during operation is detected by a cycle counter integrated in the controller. Actuations of the "HAND" key are not counted. The counter reading can be displayed with step 24 in the Configuration menu:



The cycle counter is reset to 0 if the "ENTER" key is pressed or if the maximum count of 999.999.999 cycles is exceeded.

10.11 Hold mode

The behavior of the digital indication of the ACTUAL temperature in the home position can be changed with step 2 in the Settings menu:



The following settings are possible:

1. **"OFF" (•)**
If the main menu is visible on the display, the real ACTUAL temperature is always indicated.
2. **"ON"**
If the display is in the home position, the ACTUAL temperature that was valid at the end of the last heatsealing phase is always indicated as a digital value. When the controller is switched on, the real ACTUAL temperature is indicated until the end of the first heating phase.

(•) Factory setting

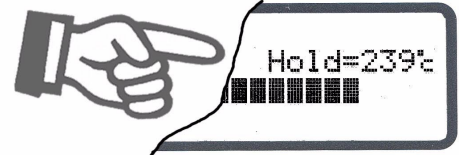
3. "2 s"

(Software revision 005 or higher)

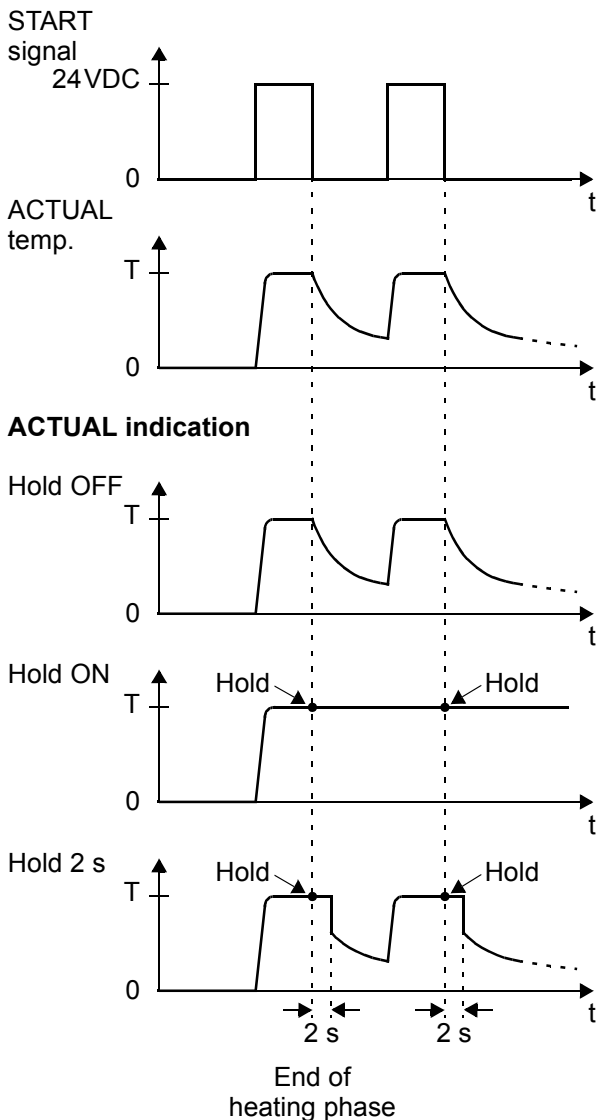
It causes the current ACTUAL temperature to be displayed as a digital value for an additional 2 seconds at the end of a heatsealing phase. This temperature is then indicated again in real time until the end of the next heating phase.

! Hold mode only affects the digital value on the display. The ACTUAL temperature in real time is always indicated, regardless of the setting, by the dynamic bar.

The word "Hold" appears on the display if a temperature value is indicated in hold mode. It disappears for approximately 100ms whenever the hold value is updated.



The various hold modes are shown below:



10.12 Disabling the Configuration menu

(Software revision 010 or higher)

It is possible to disable all changes to values/parameters in the Configuration menu. This prevents the controller configuration from being tampered with by unauthorized persons.

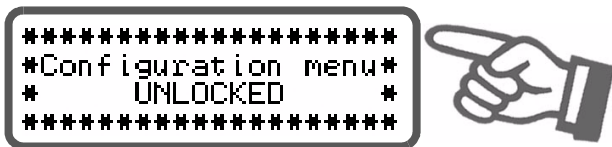
The Configuration menu can be disabled or enabled by pressing the "MENU" key for 2.0seconds while the power-up message is displayed (after switching on the controller, see section 10.2.1 "Power-up message" on page 22). The display then shows a message confirming that the disable function is active for 3.0seconds before returning to the home position.



The same message is also displayed for 5.0seconds when you open the Configuration menu to indicate that this menu is disabled.

! You can still display all steps, values and parameters even if the Configuration menu is disabled. You are no longer allowed to enter or change values, however.

The Configuration menu remains disabled until the disable function is canceled again. To do so, repeat the above procedure (press the "MENU" key for 2.0seconds while the power-up message is displayed). The display then shows a message confirming that the disable function has been canceled.

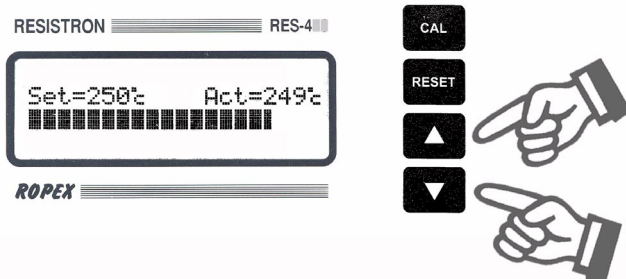


In the factory setting the Configuration menu is not disabled.

10.13 Setting the display brightness (VF display only)

(Software revision 019 or higher)

If the display is in the home position, the brightness of the VF display (blue) can be set in 4 steps (25%, 50%, 75%, 100%) with the "UP" and "DOWN" keys. The factory setting is 75%.

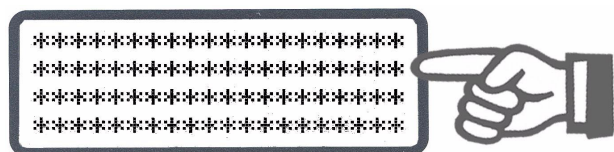


The life of the VF display can be prolonged by reducing the brightness.

10.14 Undervoltage detection

Trouble-free operation of the temperature controller is guaranteed within the line voltage tolerance range specified in Kap. 6 „Technical data“ auf Seite 8.

If a line voltage which is less than the lower limit of the permissible range occurs, the controller is switched to a standby mode. No more heatsealing processes take place and no more measuring impulses are generated. The display changes to indicate this.



The main menu is displayed again, and operation is resumed, when the input voltage returns to the specified tolerance range.

The alarm relay (terminals 5+6) is only switched by an undervoltage condition in controllers up to and including software revision 008. The alarm relay in controllers with a higher software revision number is not switched if an undervoltage condition occurs.

! Trouble-free operation of the controller is only guaranteed within the specified input voltage tolerance range. An external voltage monitor must be connected to prevent defective heatseals as a result of low line voltage.

10.15 Booster connection

The RES-420 controller has a connection for an external switching amplifier (booster) as standard. This connection (at terminals 1+2) is necessary for high primary currents (continuous current > 5A, pulsed current > 25A). The switching amplifier should be connected as described in Kap. 8.7 „Wiring diagram with booster connection“ auf Seite 16. No settings are required in the menu.

10.16 System monitoring/alarm output

To increase operating safety and to avoid faulty heatsealing, the controller incorporates special hardware and software features that facilitate selective fault detection and diagnosis. Both the external wiring and the internal system are monitored.

These features crucially support the system owner in localizing the cause of an abnormal operating state.

A system fault is reported or differentiated by means of the following elements.

A.) Error message on the display:



The cause of a fault can be localized quickly and easily with the help of the error code that appears on the display. Please refer to Kap. 10.17 „Error messages“ auf Seite 34 for a list of the possible error codes.

B.) Alarm relay (relay contact, terminals 5+6):

This contact is set in the factory as follows:

- **OPEN** if error code 104...106, 111...113 or 211 is displayed. The contact closes, however, if a "START" signal is activated in this state.
- **CLOSED** if error code 101...103, 107, 108, 201...203, 801 or 9xx appears.

If the alarm relay is configured differently from the factory setting (☞ Kap. 9.3.5 „Configuration of the alarm relay“ auf Seite 19), these states are inverted.

! An alarm can only be reset by pressing the "RESET" key or by switching the controller off and then on again.



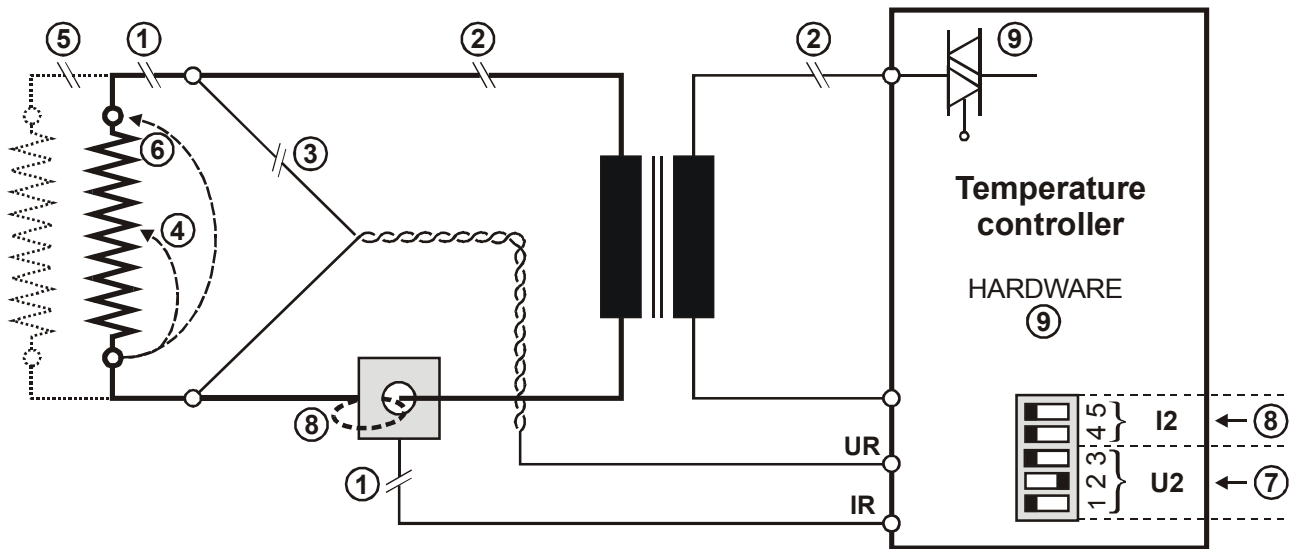
10.17 Error messages

The block diagram in Kap. 10.18 „Fault areas and causes“ auf Seite 35 permits each fault to be cleared quickly and efficiently.

The table below describes each fault and the required corrective action.

Error code	STATUS of alarm relay (factory set.)	Cause	Action if machine started for first time	Action if machine already operating, HS band not chang.
101	Closed	I _R signal missing	Fault area ①	Fault area ①
102		U _R signal missing	Fault area ③	Fault area ③
103		U _R and I _R signals missing	Fault area ②	Fault areas ②⑨
107 108	Closed	Temperature step	Fault areas ④⑤⑥ (loose contact)	Fault areas ④⑤⑥ (loose contact)
201 202 203		Frequency fluctuation, inadmissible line frequency	Check power supply	Check power supply
801		Internal fault	Run RESET	Run RESET
9xx	Open, does not close until "START" signal	Internal fault, controller defective	Replace controller	Replace controller
104 105 106		U _R and/or I _R signal incorrect	Run AUTOCAL	Fault areas ④⑤⑥
211		Data error	Run AUTOCAL	---
111	Open, does not close until "START" signal	I _R signal incorrect, calibration not possible	Fault area ⑥, check configuration	---
112		U _R signal incorrect, calibration not possible	Fault area ⑦, check configuration	---
113		U _R and I _R signals incorrect, calibration not possible	Fault area ⑦⑧, check configuration	---

10.18 Fault areas and causes



The table below explains the possible fault causes.

Fault area	Explanation	Possible causes
①	Load circuit interrupted after U_R pickoff point	- Wire break, heatsealing band break - Contacting to heatsealing band defective
	PEX-W2 current transformer signal interrupted	- I_R measuring wire from current transformer interrupted
②	Primary circuit interrupted	- Wire break, triac in controller defective - Primary winding of impulse transformer interrupted
	Secondary circuit interrupted before U_R pickoff point	- Wire break - Secondary winding of impulse transformer interrupted
③	U_R signal missing	- Measuring wire interrupted
④	Partial short-circuit (ΔR)	- Heatsealing band partially bypassed by conducting part (clamp, opposite heatsealing bar etc.)
⑤	Parallel circuit interrupted	- Wire break, heatsealing band break - Contacting to heatsealing band defective
⑥	Total short-circuit	- Heatsealing band installed incorrectly, insulation at heatsealing bar ends missing or incorrectly installed - Conducting part bypasses heatsealing band completely
⑦	U_R signal incorrect	- DIP switches 1 - 3 configured incorrectly (U_2 range)
⑧	I_R signal incorrect	- DIP switches 4 + 5 configured incorrectly (I_2 range)
	Turns through PEX-W2 current transformer incorrect	- Check number of turns (two or more turns required for currents < 30A)
⑨	Internal controller fault	- Hardware fault (replace controller)

13 How to order

	<p>Contr. RES - 420- . / . . . VAC</p> <ul style="list-style-type: none"> L / 115: LC display, line voltage 115VAC, Art. No. 742011 L / 230: LC display, line voltage 230VAC, Art. No. 742012 L / 400: LC display, line voltage 400VAC, Art. No. 742013 V / 115: VF display, line voltage 115VAC, Art. No. 742021 V / 230: VF display, line voltage 230VAC, Art. No. 742022 V / 400: VF display, line voltage 400VAC, Art. No. 742023 <p>Scope of supply: Controller includes connector plug-in parts (current transformer must be ordered separately)</p> <p>Modification MOD . . (optional, if required)</p> <ul style="list-style-type: none"> e.g. 01: MOD 01, Art. No. 800001 (amplifier for low voltage) <p>Please indicate the article numbers of the controller and the required modifications (optional) in all orders, e.g. RES-420-L/400VAC + MOD 01 (controller with LC display for 400VAC line voltage and amplifier for low voltage) Art. Nos. 742013 + 800001 must be ordered</p>
	<p>Current transformer PEX-W2 Art. No. 885104</p>
	<p>Line filter LF- . . 480</p> <ul style="list-style-type: none"> 06: Continuous current 6A, 480VAC, Art. No. 885500 35: Continuous current 35A, 480VAC, Art. No. 885506
	<p>Impulse transformer</p> <p>See ROPEX Application Report for design and ordering information</p>
	<p>Booster B- . . . 400</p> <ul style="list-style-type: none"> 075: Max. pulse load 75A, 400VAC, Art. No. 885301 100: Max. pulse load 100A, 400VAC, Art. No. 885304

For more accessories: ↪ "Accessories" leaflet

14 Index

A

Accessories 6
 Adapter for top hat rail mounting 7
 Alarm output 33
 Alarm relay 8, 19
 Alloy 18, 21
 Ambient temperature 8
 Application 4
 Application Report 11, 14, 18
 AUTOCAL 6, 20, 29
 Automatic zero calibration 6, 20, 29
 AUTOTUNE 6

B

Booster 7, 16, 37
 Booster connection 32
 Burning in heatsealing band 19, 21

C

Circuit breaker 13
 Controller configuration 17
 Controls 21
 Current transformer 7, 14, 37
 Cycle counter 30

D

Degree of protection 9
 Dimensions 10
 DIP switches 18
 Disabling Configuration menu 31
 Display 22
 Display brightness 32

E

External switching amplifier 7, 16

F

Factory settings 18, 36
 Fault areas 35
 Fault diagnosis 6
 Front cover 7

H

HEAT 20, 30
 Heatsealing band type 8
 Hold mode 30

I

Impulse heatsealing method 4
 Impulse transformer 6, 13, 37
 Installation 9, 11

Installation procedure 11
 Installation regulations 11

L

Line filter 6, 13, 14, 37
 Line frequency 6, 8
 Line voltage 8

M

Maintenance 36
 Manual mode 29
 Measurement cable 7
 Modifications 7, 37
 MODs 7, 37
 Monitoring current transformer 7

O

Overheating of heatsealing band 6

P

PEX-W2 14, 37
 Power supply 13
 Principle of operation 5

R

Replacing heatsealing band 20, 21

S

Secondary current I_2 18
 Secondary voltage U_2 18
 Set point selection 8, 29
 Standby mode 32
 "START" signal 20, 30
 System monitoring 33

T

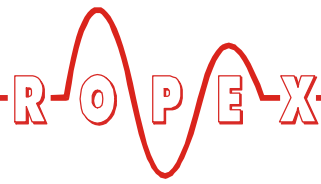
TCR 3, 19
 Temperature coefficient 3, 19
 Temperature control 4
 Temperature indication 29
 Temperature range 8, 18
 Temperature setting 29
 Transformer 3, 6, 13, 37
 Type of construction 8

U

Undervoltage detection 32

V

View of controller 17



W
Wiring 11, 13

Wiring diagram 15, 16