

Operating Instructions

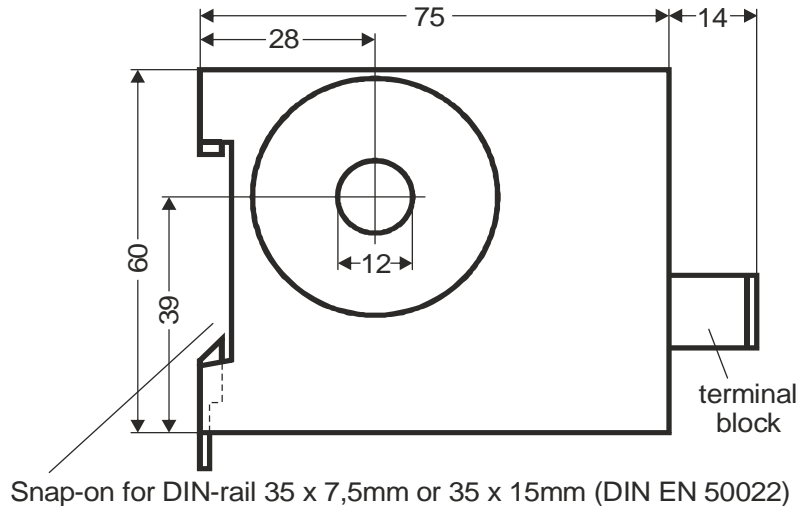
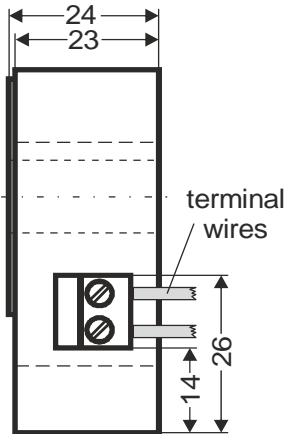


The current transformer shipped with the RESISTRON or CIRUS temperature controller is an integral part of the control system.

The current transformer may only be operated if it is correctly connected to the temperature controller (see "Startup" and "Power supply" sections in the controller documentation).

⚠ Only the original ROPEX current transformer may be used. Other transformers could cause the equipment to malfunction.

Dimensions



Technical data

Type of construction	Housing for installation in the electrical cabinet Snaps onto a top hat rail (DIN TS35 rail, 35mm) acc. to DIN EN 50022 Dimensions: 60 x 24mm; height: 89mm (incl. terminals)
Power dissipation	Max. 2.0W
Ambient conditions	Max. altitude: 2000m Ambient temperature: +5...+45°C Max. relative humidity: 80% at temperatures up to +31°C, decreasing linearly to 50% relative humidity at +45°C
Degree of protection	IP20
UL file	E464680
Installation	If several units are installed on one top hat rail (DIN TS35 rail), a clearance of at least 20mm should be allowed between them. The moving clip required for fastening must be facing down for mounting on a horizontal top hat rail. End holders to mechanically fix the current transformer must be fitted at both ends for mounting on a vertical top hat rail.
Weight	Approx. 0.15kg (incl. connector plug-in parts)
Housing material	Plastic, polycarbonate, UL-90-V0
Connecting cable Type / cross-sections	Rigid or flexible; 0.2...1.5mm ² (AWG 24...16) with plug-in connector Plug-in connectors: Tightening torque: 0.5...0.6Nm (screwdriver: SZS 0.6x3.5mm) ⚠ If ferrules are used, they must be crimped in accordance with DIN 46228 and IEC / EN 60947-1. This is essential for proper electrical contact in the terminals.

How to order

	Current transformer	Art. No. 885106
--	----------------------------	-----------------